



ELECTRONICS

EMERGENCY VEHICLE SOUND, LIGHTING & EQUIPMENT

**CHEVY TAHOE
PRODUCT GUIDE
2013/14**



www.dandrelectronics.com

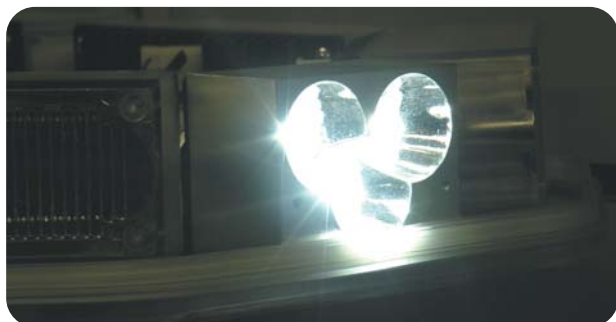
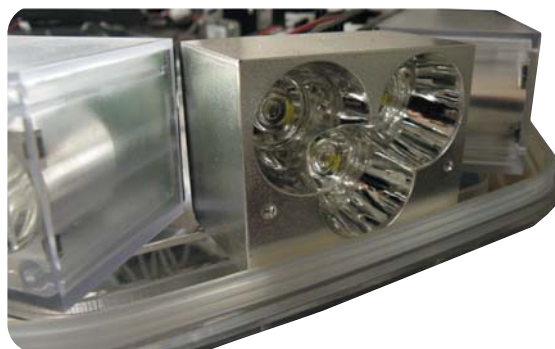
PL-46 LINEAR LIGHTBAR WITH WDR12 MODULES



- Linear 6 or 12 High Power LED plug-in modules
- Amperage draw:
WDR6-X-PL: 0.55 - 0.6 amp per module
WDR12-X-PL: 1.1 - 1.2 amp per module



- Prowler is our new generation lightbar that combines the best features of LED technology.
- Mounting kits available for most makes and models of vehicles.
- Meets all applicable SAE Class 1 and California Title XIII when properly configured
- Can be controlled through any of the standard D&R and other manufacturer's switch packs or electronic light control systems
- Perfect for all emergency vehicle applications
- 13 conductor 18 feet harness
- Operating Temperature: -40°C to +65°C (-40F to 149F)
- Exceptionally bright and powerful signal generated by the D&R light modules
- Optional internal or external auto dim mode for night use
- Deep parabolic reflector
- 100% solid state flasher
- 100% solid state modules





ODYSSEY ARROWBOARD LIGHTBARS

MINI ODYSSEY LIGHTBAR ODM2

- The Odyssey LED sign is a compact lightbar and arrowboard combination.
- The retractable motorized arrowboard / traffic director provides superior visibility in a low profile configuration.
- This patent design gives you the full advantage of a 360-degree lightbar when in lower position.

FEATURES:

- GEN III LED technology
- Low-profile (just 3" high) and 'Easy Swap' plug and play modules
- Motorized for easy deployment
- Compatible with our light & siren controller or AS5500
- Mounting kit included
- Meets SAE Class I when properly configured

TECHNICAL SPECS:

- Finish: Enamel
- Color: White or Black
- Material: Base-12ga aluminum / Sign-8ga aluminum
- Optional Road Alert designed in
- Dimensions: Sign Down: W-47 3/4", D-21 1/4" / H-3.0" / Sign Up Raised height - 19 7/8"
- Arrow Board: Total light modules - 16
Double Arrow Configuration - Yes
- Functions Supported: Left Arrow - Yes / Right Arrow - Yes
Centre Out - Yes / Flash Warning - Yes
- Arrow Board Modules:
MR6B*X-OD (black body)
*X-available colors: Amber, Blue, Clear, Red
Draw: 0.7 amp@12V per module
- Lightbar Modules:
WDR6-*X / WDR12-*X Deep Reflector LED light
*X-available colors: Amber, Blue, Clear, Red
Amperage Draw:
WDR6-*X: 0.55-0.6 amp per module
WDR12-*X: 1.1-1.2 amp per module



ODYSSEY LIGHTBAR - OD

* Shown with DR6 Modules

TECHNICAL SPECS:

- Finish: Powder coat
- Color: White or Black
- Material: Base-12ga aluminum / Sign-8ga aluminum
- Dimensions: Sign Down: W-47 3/4", D-28 1/4" / H-3.0" / Sign Up Raised height - 26 7/8"
- Arrow Board: Total light modules - 24
Double Arrow Configuration - Yes
- Functions Supported:
Left Arrow - Yes
Right Arrow - Yes
Centre Out - Yes
Flash Warning - Yes
- Arrow Board Modules:
MR6B*X-OD (black body)
*X-colors: Amber, Blue, Clear, Red
Draw: 0.7 amp@12V per module
- Lightbar Modules:
WDR6-*X / WDR12-*X Deep Reflector LED light
*X-available colors: Amber, Blue, Clear, Red
Amperage Draw:
WDR6-*X: 0.55-0.6 amp per module
WDR12-*X: 1.1-1.2 amp per module



MR6VL-TAHOE



- High visibility when activated
- Low profile, lightweight
- Extremely discrete and non-intrusive
- Split Red/Blue super bright LED

- Selectable flash pattern
- Aluminum trim mounting bracket to hold the lightbar position near the top windshield area
- Available models: MR6VL-TAHOE

LED LIGHTSTICK / TRAFFIC DIRECTOR



FEATURES

- Dimensions:
 - Width - 40"
 - Height - 2.40"
 - Depth - 3.13"
- Max current less than 5A - when all modules ON
- Number of modules - 8
- Watertight, surface mount

- External Controller:
 - Left, Right, Center Out flashing patterns
- Available colors: Red, Blue or Amber
- Standard cable length - 20ft
- Parabolic Linear Reflector
- 6 LED per modules
- Meets SAE 595 CLASS 1

MR6LB/MR6LBF LED LIGHTS



FEATURES

- MR6 Linear modules utilize the latest in 1W LED technology
- Surface or Flush mount 6 LED flashing modules
- Ideally suited for use in directional warning solutions
- These compact modules provide great versatility for a wide range of mounting options
- All modules are sealed, waterproof for external mounting applications
- Multiple flash patterns built-in
- Input Voltage: 12-24 VDC Nominal
- Synchronous or alternate operation
- Dimensions:
MR6LB: W-3.25", H-1.25", D-1.1"
MR6LBF: W-3.25", H-1.5", D-1.0"
- Available colors:

**MR6LB LED LIGHT
SURFACE MOUNT**



**MR6LBF LED LIGHT
FLUSH MOUNT**



MR12LB LED LIGHTS



- MR12LB-X/X LED modules utilize the latest in 1W LED Technology
- Surface mount 2 x 6 LED flashing stacked modules
- Ideally suited for use in directional warning solutions
- All modules are sealed for external mounting applications
- Multiple flash patterns built-in
- Dimensions:
Width (Base) - 3.25"
Depth - 1.1"
Height - 2.75"
- Available colors:

L6I LED INSERT



- LED Elements - 6
- A single Master can trigger up to 6 Slave modules
- Ultra small
- Includes synchronize feature for alternating and synchronous flashing of multiple lamps
- Quick connect/disconnect harness *NEW FEATURE*
- Dimensions:
Base Diameter: 1.50", Height-1.25"
- Available colors:

ML6I LED LIGHTS



- Surface mount module
- Able to synchronize in both alternating and synchronous modes
- Safe low voltage wiring
- Quick connect/disconnect harness *NEW FEATURE*
- **Black** or **White** external bezel
- Dimensions: Base Diameter: 1.875", Height:0.75"
- Available colors:

INTIMIDATOR SERIES

F3.3000



- A compact easy to install siren & relay package with a remote control head with a built in PA Microphone
- Standard Siren tones
- 14 controlled outputs (3@20Amps, 11@10Amps)
- Radio re-broadcasting option
- Park Kill
- Gun lock timer feature

F3.3100



- Traffic Director display
- Operates one or two 100-watt speakers
- All control outputs are solid state relays
- All solid state relays are short circuit protected (no fuses to change)
- Meets SAE J1849
- Available in 12V or 24V operating voltages

PROTEC 1300S



- Hand held light & siren controller with built in PA Microphone
- Standard Siren tones
- Fully Backlit
- Radio re-broadcasting option
- Park Kill
- All control outputs are solid state relays
- Available in 12V or 24V operating voltages
- Operates one or two 100W speakers
- Meets SAE J1849



LIGHT/SIREN CONTROLLERS

RDS SERIES

RDS-RK



- A compact full feature siren/relay modules
- 9 controlled outputs: 3@20Amp, and 6@10Amps
- All control outputs are solid state relays
- Radio re-broadcasting option
- Standard siren tones
- Park Kill

RDS



- Gun lock timer
- Operate one or two 100W speakers
- The touchpad includes a 4 position slide switch, 12 illuminated push button switches
- Traffic Advisor indicator (data to be used with D&R Advisor only)
- Meets SAE J1849

RDS16S

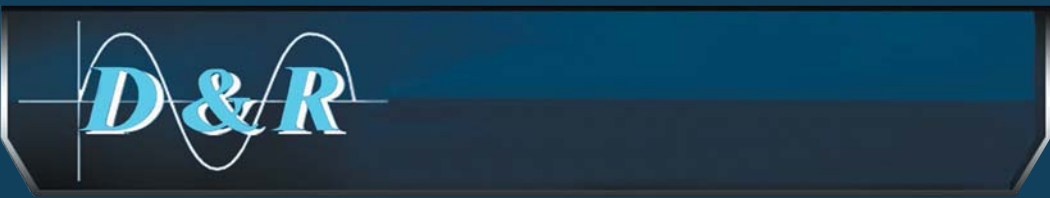


- Light & Siren control with full feature siren.
- 16 controlled outputs
- Radio re-broadcasting option
- All control outputs are solid state relays
- Park Kill
- Operates one or two 100W speakers
- Traffic advisor indicator (data to be used with D&R advisor only)
- Meets SAE J1849
- Gun lock timer

RDS17S



- Light & Siren control with full feature siren.
- 14 controlled outputs:3@20Amps, 11@10Amps
- Radio re-broadcasting option
- All control outputs are solid state relays
- Park Kill & Gun lock timer
- Operates one or two 100W speakers
- The touchpad includes 4 position slide switch, 14 illuminated push button switches
- Traffic advisor indicator (data to be used with D&R advisor only)
- Meets SAE J1849



SPEAKERS/ SPEAKER BRACKETS

DRCS110 SPEAKER



- All weather nylon composite black housing with front loaded 100W speaker driver
- Exceeds Class A, SAE J1849 requirements
- Dimensions:
Width - 6.85",
Height - 6.35",
Depth - 2.78"

DRCS110 PUSHBUMBER SINGLE SPEAKER BRACKET 935-0067A



- Single pushbar inverted speaker bracket
- Bracket for DRCS110

SPEAKER BRACKET ADAPTER TO MOUNT DRCS110 BEHIND GRILLE 935-0066A



DRCS100 SPEAKER



- DRCS100 is one of D&R's most innovative cast 100 W speakers
- Exceeds Class A SAE J1849 approved
- Dimensions:
Width - 6.5",
Height - 5.375",
Depth - 3.0"

SPEAKER BRACKET DRTAHOE



ANTI-THEFT MODULES

ADT12



- Electronic Anti-Theft module
- Permits the removal of ignition key while the engine continues to run

ADT30A



- Automatic Anti-Theft module
- Activation upon door opening

LED MAPLIGHT

CA-0129 / CA-0130



- Available in: 12" and 18" lengths
- 3 Phase light intensity 1 Watt LED (Low, Medium, High)
- Available in 12 /24V
- 280 degree Turning Radius
- 1 Watt Red and White LED
- USB plug option available:
CA-0129-USB, CA-0130-USB



POWER DISTRIBUTION UNITS

The Power Distribution Units allow for elimination of long wasteful wire runs in public safety vehicle builds.

PDUs are divided into three configurations:

- Direct Continuous Power
- Ignition Controlled Power
- Timed Controlled Power

- Power Management System
- Organizes vehicle wiring runs
- All power connections at one central location
- Provides Direct Power, Ignition Power and Timed Power

- Organizes vehicle wiring runs
- All power connections at one central location
- Provides direct power, ignition power and timed power
- Easy installation, easy connection of accessory equipment

Each fused output has a red LED to indicate a blown circuit fuse or equipment problem. The timed outputs provide the ability for automatic shutdown of devices by a user selectable timing circuit of 2-minutes to 13-hours (after ignition key removed). This will allow for vehicle left with mobile radios, modems, computers to shut down power before causing the battery to be run dangerously low.

- Makes a safer electrical connection to vehicle
- Built-in Watchdog
- Protects Battery

- Visual condition of circuits
- Make a safer electrical connection to vehicles
- Built-in Watchdog (battery discharge protector)
- Fast and reliable vehicle installations

PDU14



PDU8S



PDU42WB



PDUYRP



GENERAL INFORMATION ABOVE, FOR DETAILS ON EACH MODEL, VISIT OUR WEBSITE @ www.dandrelectronics.com/emergency/products/power-distribution-units

901-0048A



- 18" console with side pocket
- Shown with optional swing arm (LT7600 - sold separately)
- Allows for mounting up to 5 pieces of remote head equipment
- 3 accessory outlets on passenger side

901-0081A



- 18" console
- Allows for mounting up to 5 pieces of remote head equipment
- 3 accessory outlets on passenger side
- Sliding armrest

901-0090A



- 31" console
- Allows for mounting up to 9 pieces of equipment
- Front to rear sloped profile
- Side compartment provides storage space for clipboards
- Design allows for easy equipment operation by both driver and passenger

SRC18SA-TAH



- 18" console with optional swing arm (LT7600 - sold separately)
- Allows for mounting up to 5 pieces of remote head equipment
- 3 accessory outlets on passenger side

SRCSUV



SRCSUV

- 18" console
- Allows for mounting up to 6 pieces of equipment
- Front to rear sloped profile
- Slide compartment provides storage space for clipboards
- Design allows for easy equipment operation by both driver and passenger



LAPTOP MOUNTS

- Laptop mount with bearing detent swivel, 80 degrees to passenger and driver
- The mount raises from 6.5" to 10" utilizing telescoping tubing w/heavy duty clamp lever
- Built-in slide tray with four 1.5" increments
- Air Bag compatible (in lower position)
- Laptop Tray / Docking Station optional
- Optional: available with Tilt Adapter Plate part #: 907-0175A



- Telescoping laptop mount with adjustable mount base
- Ball bearing detent swivel base allows for 80 degrees swivel to both passenger and driver
- Angled, spring loaded telescoping riser lets mount height be adjusted from 6.5" to 11.5"
- Built-in slide tray with four 1.5" increments
- Air Bag compatible (in lowered position)
- Laptop Tray / Docking Station optional
- Optional: available with Tilt Adapter Plate part#: 907-0175A
- LT5201 is 4" taller than the LT5200

LT5200 / LT5201



- LT6600 Passenger Side Mount connects to the passenger seat bolts
- Full featured computer mount with height, tilt, dual 360 swivel and extension adjustments
- Utilizes laser cut swivel components to provide a compact unit ideal for small to full size cars and SUV's
- The LT6600 accepts all D&R laptop or MDT specific trays and universal trays

**LT6600 WITH
LT66MK-SUBURB-06
MOUNTING KIT**

FUNCTIONALITY:

- Height Adjustment: height can be set by the user:
LT6600-A from 13.5"- 21.50"
- Extension Adjustment: this adjustment allows the user to tilt move the computer towards or away from their reach to a comfortable working position (12"-16")
- Mounting Kit: Various kits are available depending on the make, model and year
- All mounts include braces for mount support



- Dual 360 Degree swivels allow the computer to swing from the driver to the passenger seat
- LT7600 accepts all D&R computer specific trays, universal trays and popular keyboard trays
- Tilt adjustment allows the user to tilt the computer to a comfortable working position

LT7600



POWER OUTLETS

CA-0101



- Dual outlet 12V power accessory
- Individually switched, fused and backlit
- 15 Amp max per output

CA-0102



- Triple outlet 12V power accessory with lighter plug
- 15 Amp max per output

CA-0103



- Triple outlet 12V power accessory
- Mounts in console.
- Dimensions: Length - 8.0", Width - 3.5"

CA-0103S



- Triple outlet 12V power accessory
- Mounts in console.
- Dimensions: Length - 8.0", Width - 1.5"

CUPHOLDERS

CA-0107LS



- Dual cupholder (one regular size cup and one large cup)
- Mounts in console
- Dimensions: L-4.25" / W-8.0"

CA-0107



- Dual cupholder (regular cup size)
- Mounts in console
- Dimensions: L-3.5" / W-8.0"

CA-0106



- Dual cupholder w/clipboard holder compartment
- Mounts to rear of console
- Dimensions: L-5.54" / W-8.43"

CA-0117L



- Dual cupholder w/two large cups
- Mounts to floor plate or flat surface
- Dimensions: L-5.69" / W-8.56"

CA-0117



- Dual cupholder with two regular cup size
- Mounts to floor plate or flat surface
- Dimensions: L-4.88" / W-8.0"

STORAGE POCKETS

CA-0104



- Ticket book holder
- Design to mount in console
- Dimensions: L-3.5" / W-8.0" / H-6.25"

CA-0104S



- Ticket book holder
- Design to mount in console
- Dimensions: L-3.5" / W-8.0" / H-3.0"

CA-0104M1



- Ticket book holder
- Design to mount in console
- Dimensions: L-7.0" / W-8.0" / H-6.25"

TICKETBOOK HOLDERS

CA-0105



- Ticket book holder with keyed locking lid
- Design to mount in console
- Dimensions: L-3.5" / W-8.0" / H-6.0"

CA-0105S



- Ticket book holder with keyed locking lid
- Design to mount in console
- Dimensions: L-3.5" / W-8.0" / H-3.0"

CA-0105M1



- Ticket book holder with keyed locking lid
- Design to mount in console
- Dimensions: L-7.0" / W-8.0" / H-6.25"

CA-0105M2



- Ticket book holder with keyed locking lid
- Design to mount in console
- Dimensions: L-10.5" / W-8.0" / H-6.25"

ARMRESTS

904-0123A



Console mount Armrest with D&R logo pad.

904-0128A



Floormount Armrest with D&R logo pad.

904-0135A



Soft molded rubber Side mounting Console Armrest-Driver Side
904-0136A Passenger Side

CA-0211



Printer Armrest designed to enclose the Pentax PocketJet printer and paper spool

CA-0124



- Adjustable armrest with the rear mounted clip board holder

CA-0119



- Adjustable armrest
- Secures to equipment floor mounting plate

CA-0111



- Adjustable armrest with slide-out note pad
- Mounts to rear of console

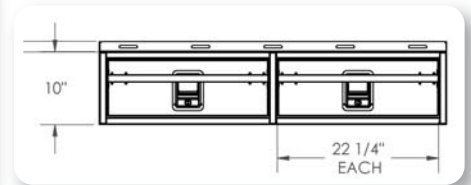
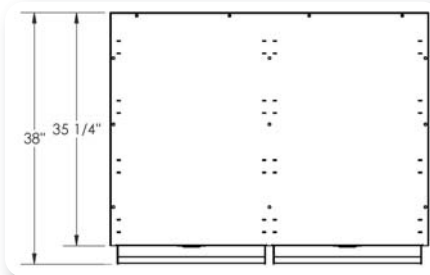
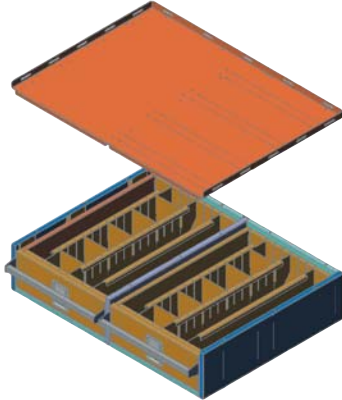
CA-0118



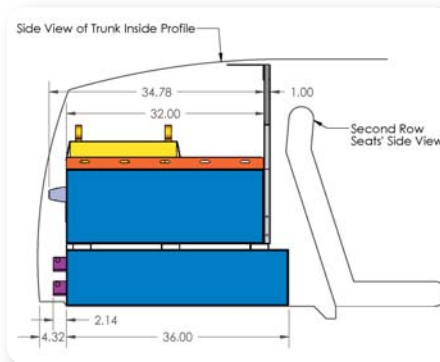
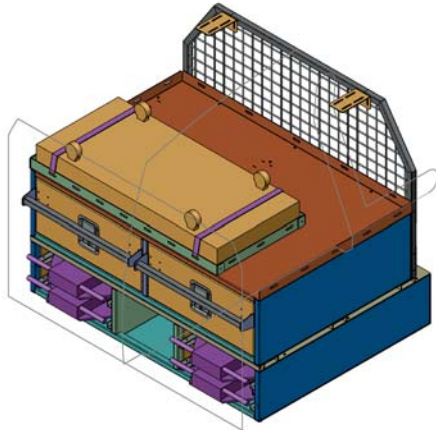
- Adjustable armrest w/slide-out note pad
- Secures to equipment floor mounting plate

934-0390A

■ Dual drawer storage



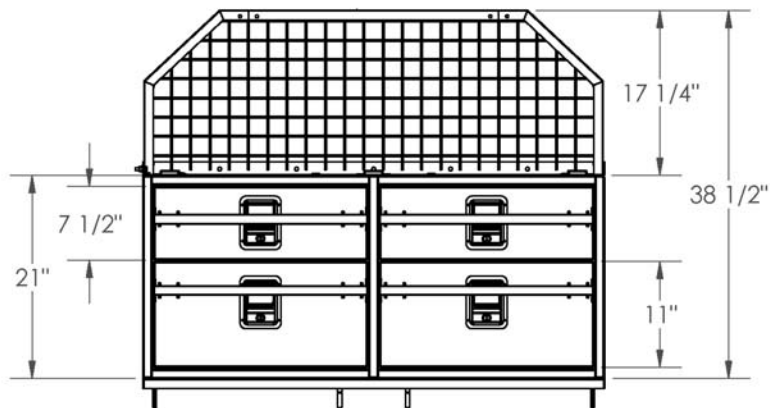
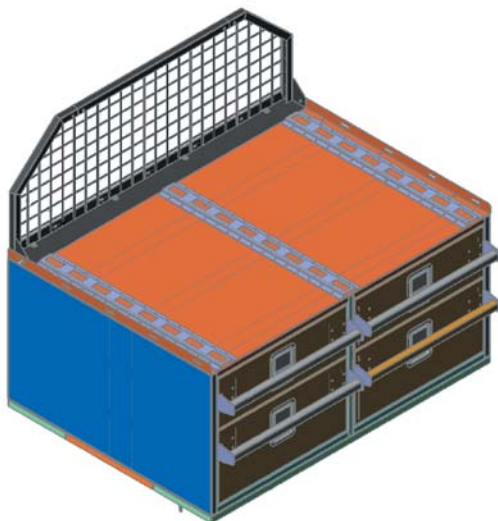
934-0415A



■ Custom storage with scale rack system

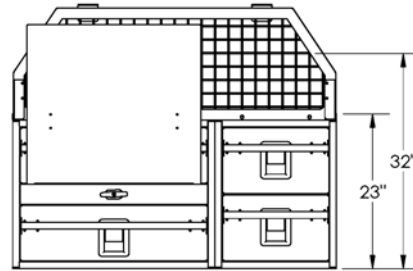
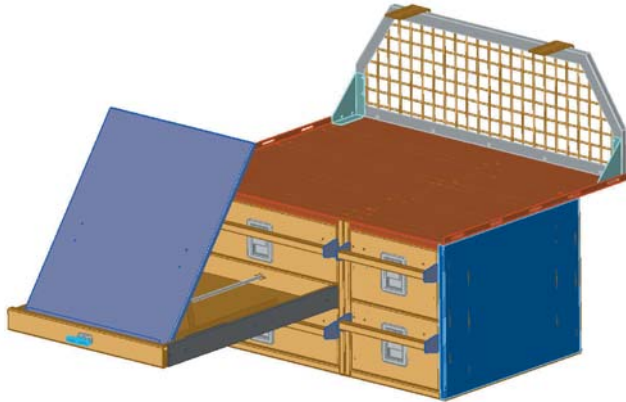
934-0427A

■ Storage system with 4 drawers, E-Track and partition



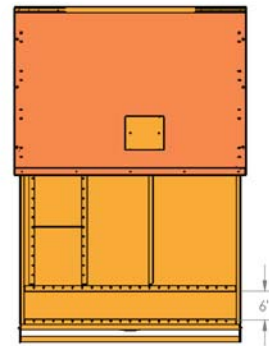
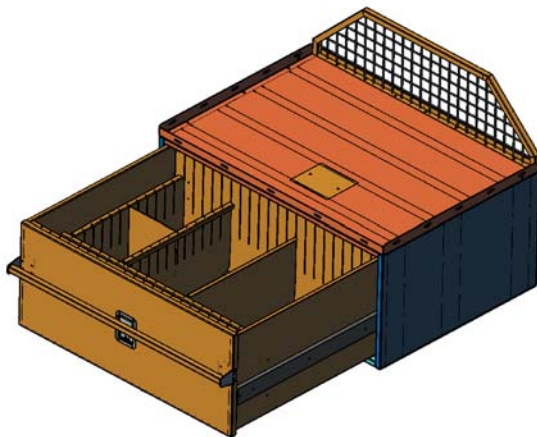
*** CONTACT YOUR SALES REPRESENTATIVE FOR YOUR CUSTOM IN-VEHICLE STORAGE SYSTEM ***

934-0178A



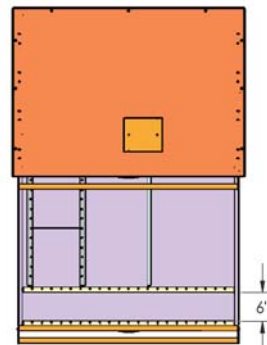
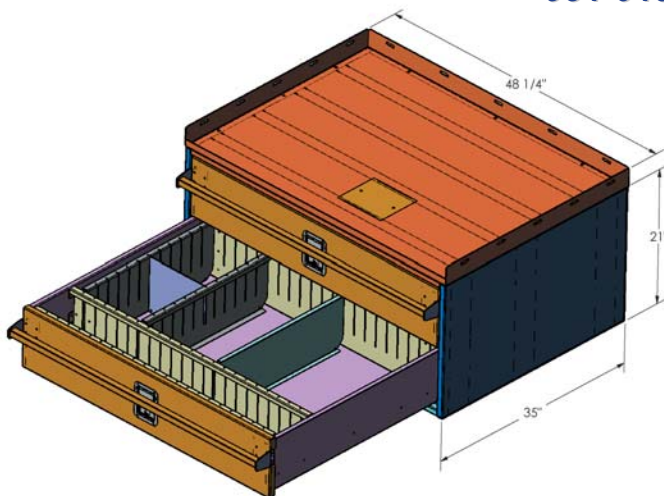
■ Storage system with 4 drawers and folding white board

934-0485A



■ Single drawer with dividers

934-0484A

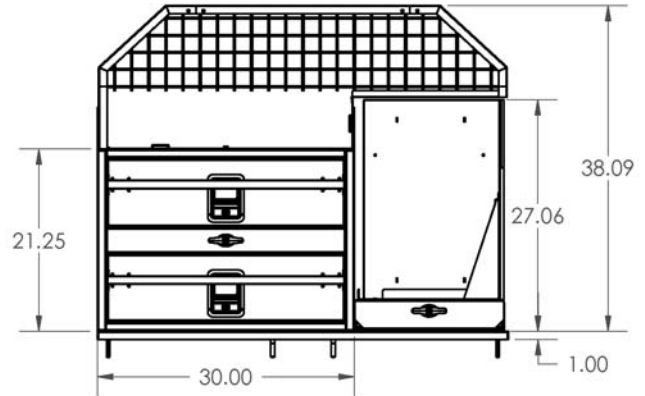
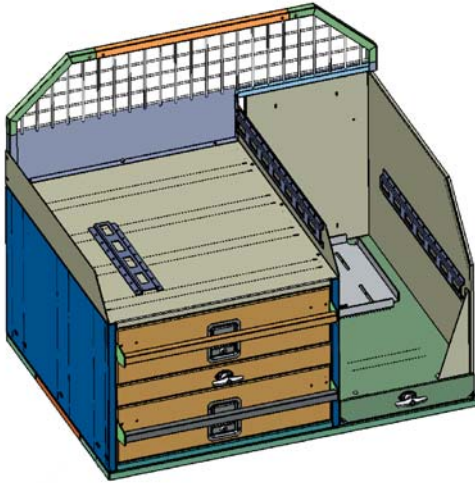


■ Dual drawer with dividers

*** CONTACT YOUR SALES REPRESENTATIVE FOR YOUR CUSTOM IN-VEHICLE STORAGE SYSTEM ***

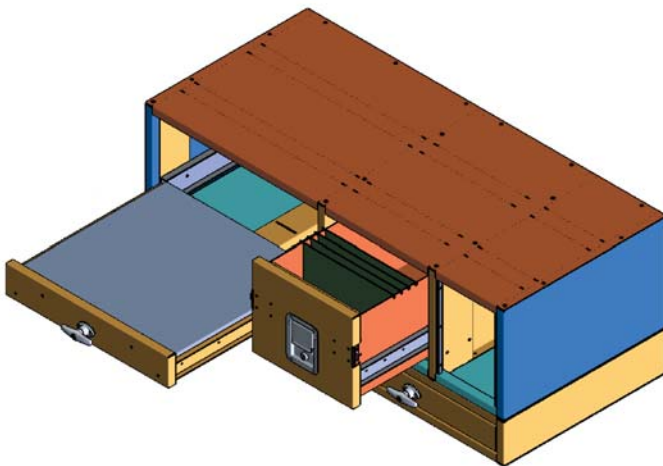
934-0438A

■ Storage System with Dual drawer, white board and pull out drawer



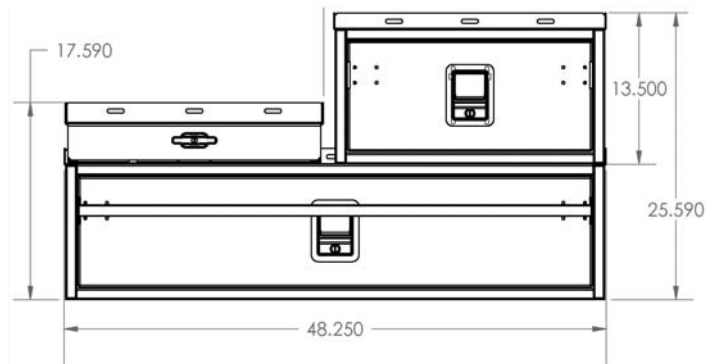
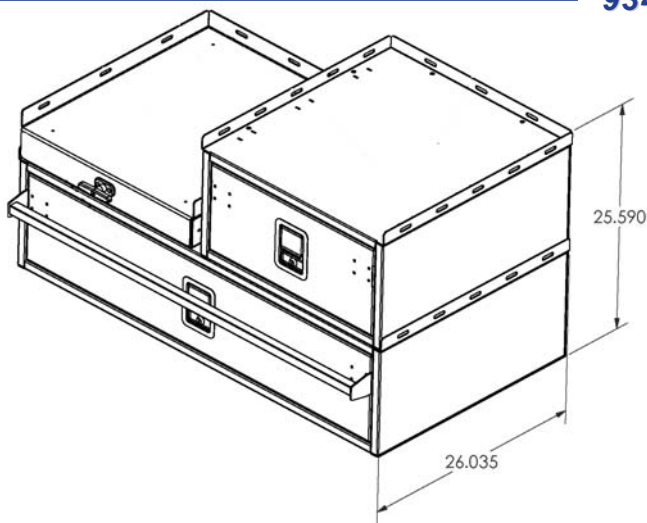
934-0572A

■ Storage System with dual map drawer and letter size file drawer



934-0476A

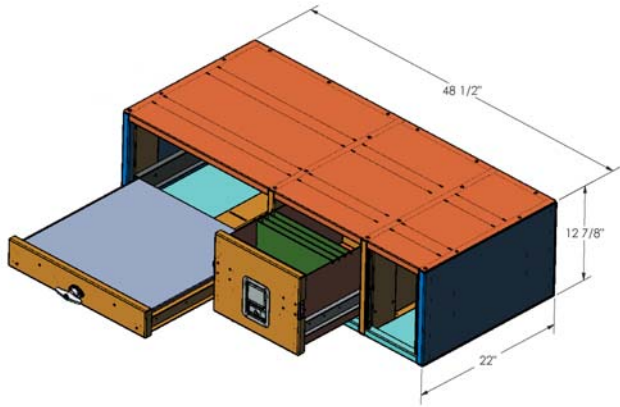
■ Storage System with dual drawer and pull out tray



*** CONTACT YOUR SALES REPRESENTATIVE FOR YOUR CUSTOM IN-VEHICLE STORAGE SYSTEM ***

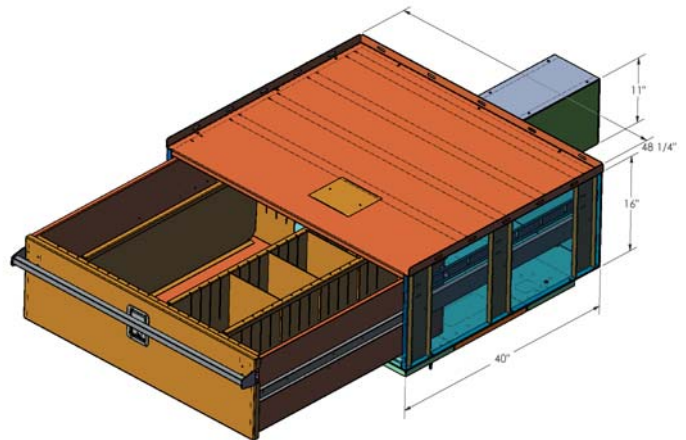
934-0574A

■ Storage System with one map drawer and letter size file drawer

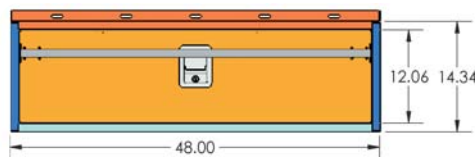
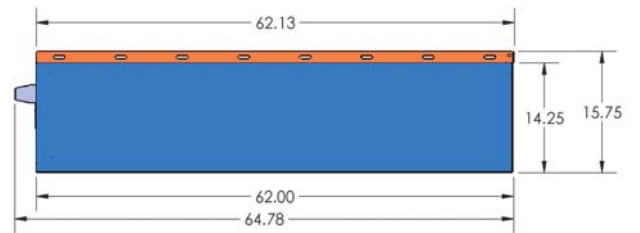
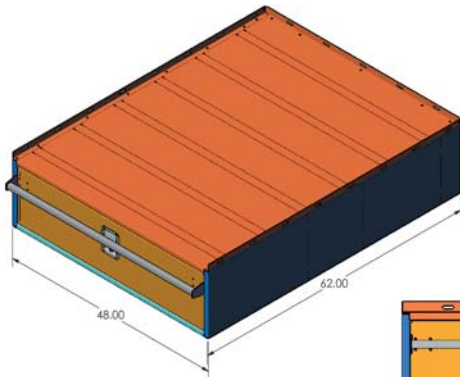


934-0571A

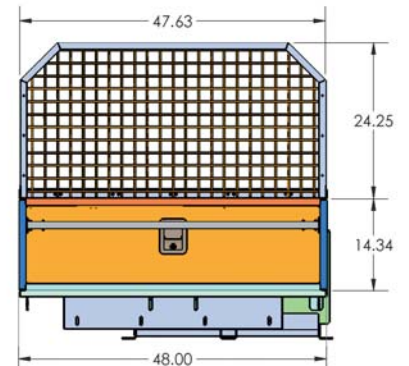
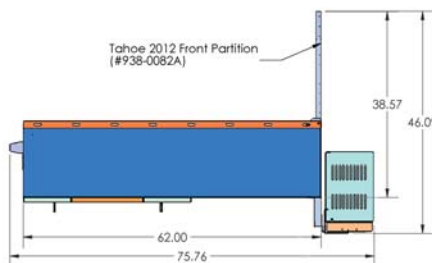
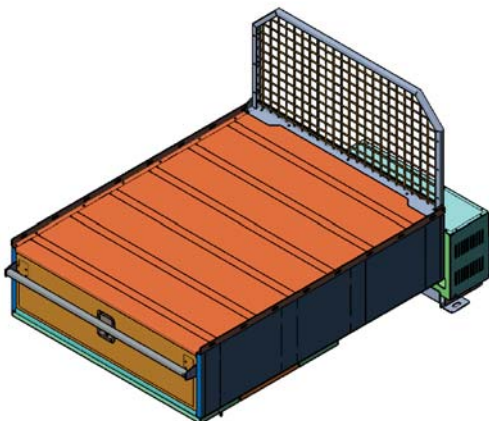
■ Custom storage cabinet for 50Cal Rite



934-0571A



934-0542A

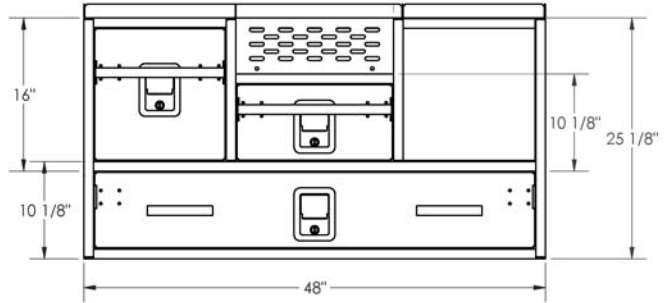
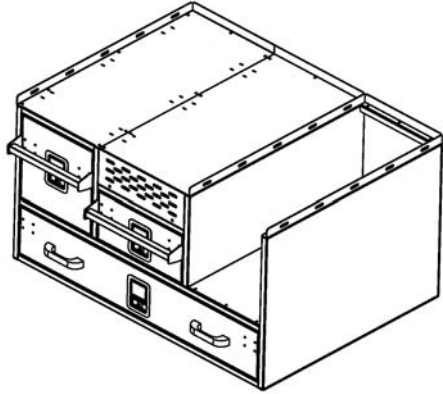


*** CONTACT YOUR SALES REPRESENTATIVE FOR YOUR CUSTOM IN-VEHICLE STORAGE SYSTEM ***



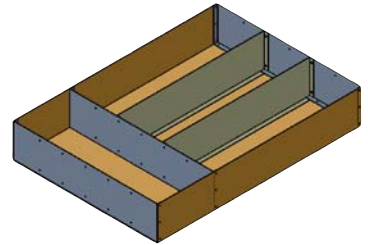
STORAGE SYSTEMS / WINDOW BARS

934-0528A



933-0033A

- Custom Storage Caddy with Two Adjustable Dividers and One Fixed Divider



WINDOW BARS



REAR WINDOW BARS
(WB-TAH-07)

*** CONTACT YOUR SALES REPRESENTATIVE FOR YOUR CUSTOM IN-VEHICLE STORAGE SYSTEM ***

934-0464A

- Each cage is custom built to the dimensions of your vehicle
- Cages are versatile, spacious

- Keeping your dog safe and secure
- Easy to clean
- Heavy duty thick rubber floor mat



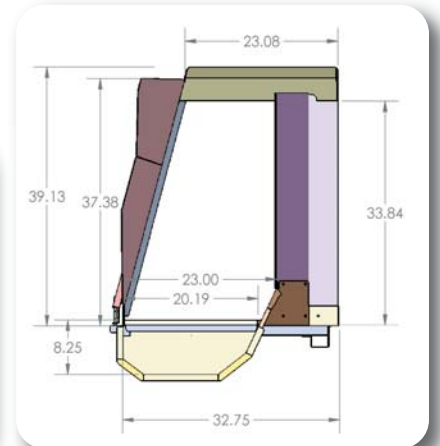
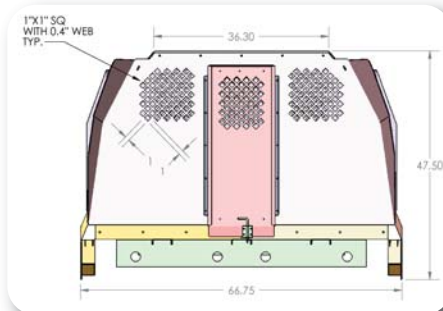
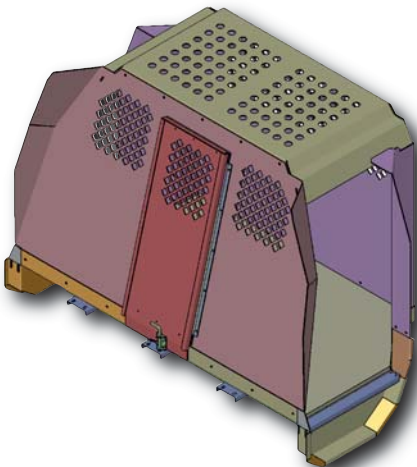
934-0473A

- K9 Kennel with center door assembly
- Can be converted from two to one cages
- Gun mount bracket is optional



934-0513A

- K9 Kennel for a single dog
- Thick 3/4" Rubber floor
- Includes window covers, door covers and fan covers





**ISO 9001:2008
REGISTERED COMPANY**



D&R ELECTRONICS CO.LTD

**8820 GEORGE BOLTON PKWY.
BOLTON, ONTARIO L7E 2Y4 CANADA
TEL: 905-951-9997 / FAX: 905-951-0019
TOLL FREE: 1-800-538-7338
www.dandrelectronics.com**