



ELECTRONICS

EMERGENCY VEHICLE SOUND, LIGHTING & EQUIPMENT

INTERCEPTOR SEDAN PRODUCT GUIDE

2013/14



www.dandrelectronics.com

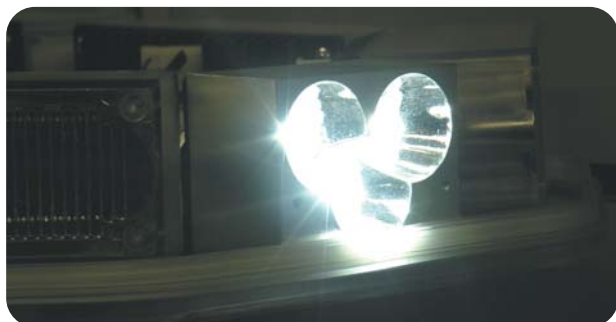
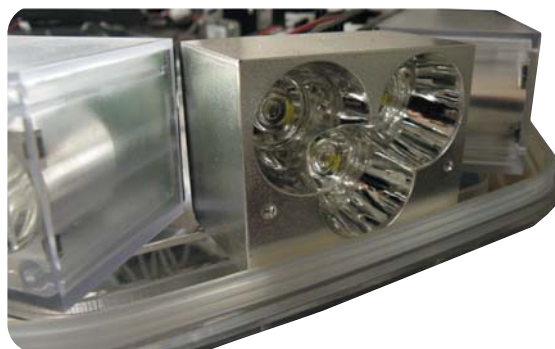
PL-46 LINEAR LIGHTBAR WITH WDR12 MODULES



- Linear 6 or 12 High Power LED plug-in modules
- Amperage draw:
WDR6-X-PL: 0.55 - 0.6 amp per module
WDR12-X-PL: 1.1 - 1.2 amp per module



- Prowler is our new generation lightbar that combines the best features of LED technology.
- Mounting kits available for most makes and models of vehicles.
- Meets all applicable SAE Class 1 and California Title XIII when properly configured
- Can be controlled through any of the standard D&R and other manufacturer's switch packs or electronic light control systems
- Perfect for all emergency vehicle applications
- 13 conductor 18 feet harness
- Operating Temperature: -40°C to +65°C (-40F to 149F)
- Exceptionally bright and powerful signal generated by the D&R light modules
- Optional internal or external auto dim mode for night use
- Deep parabolic reflector
- 100% solid state flasher
- 100% solid state modules





ODYSSEY ARROWBOARD LIGHTBARS

- The Odyssey LED sign is a compact lightbar and arrowboard combination.
- The retractable motorized arrowboard / traffic director provides superior visibility in a low profile configuration.
- This patent design gives you the full advantage of a 360-degree lightbar when in lower position.

FEATURES:

- GEN III LED technology
- Low-profile (just 3" high) and 'Easy Swap' plug and play modules
- Motorized for easy deployment
- Compatible with our light & siren controller or AS5500
- Mounting kit included
- Meets SAE Class I when properly configured

TECHNICAL SPECS:

- Finish: Enamel
- Color: White or Black
- Material: Base-12ga aluminum / Sign-8ga aluminum
- Optional Road Alert designed in
- Dimensions: Sign Down: W-47 3/4", D-21 1/4" / H-3.0" / Sign Up Raised height - 19 7/8"
- Arrow Board: Total light modules - 16
Double Arrow Configuration - Yes
- Functions Supported: Left Arrow - Yes / Right Arrow - Yes
Centre Out - Yes / Flash Warning - Yes
- Arrow Board Modules:
MR6B*X-OD (black body)
*X-available colors: Amber, Blue, Clear, Red
Draw: 0.7 amp@12V per module
- Lightbar Modules:
WDR6-*X / WDR12-*X Deep Reflector LED light
*X-available colors: Amber, Blue, Clear, Red
Amperage Draw:
WDR6-*X: 0.55-0.6 amp per module
WDR12-*X: 1.1-1.2 amp per module

MINI ODYSSEY LIGHTBAR



ODYSSEY LIGHTBAR

* Shown with DR6 Modules

TECHNICAL SPECS:

- Finish: Powder coat
- Color: White or Black
- Material: Base-12ga aluminum / Sign-8ga aluminum
- Dimensions: Sign Down: W-47 3/4", D-28 1/4" / H-3.0" / Sign Up Raised height - 26 7/8"
- Arrow Board: Total light modules - 24
Double Arrow Configuration - Yes
- Functions Supported:
Left Arrow - Yes
Right Arrow - Yes
Centre Out - Yes
Flash Warning - Yes
- Arrow Board Modules:
MR6B*X-OD (black body)
*X-colors: Amber, Blue, Clear, Red
Draw: 0.7 amp@12V per module
- Lightbar Modules:
WDR6-*X / WDR12-*X Deep Reflector LED light
*X-available colors: Amber, Blue, Clear, Red
Amperage Draw:
WDR6-*X: 0.55-0.6 amp per module
WDR12-*X: 1.1-1.2 amp per module





INTERIOR LED LIGHTBARS

MR6VL-SEDAN



- High visibility when activated
- Low profile, lightweight
- Extremely discrete and non-intrusive
- Split Red/Blue super bright LED
- Selectable flash pattern
- Aluminum trim mounting bracket to hold the lightbar position near the top windshield area
- Available models: MR6VL-TAURUS

LED LIGHTSTICK / TRAFFIC DIRECTOR

MR6-4R/4B



FEATURES

- Dimensions:
 - Width - 40"
 - Height - 2.40"
 - Depth - 3.13"
- Max current less than 5A - when all modules ON
- Number of modules - 8
- Watertight, surface mount
- External Controller:
 - Left, Right, Center Out flashing patterns
- Available colors: Red, Blue or Amber
- Standard cable length - 20ft
- Parabolic Linear Reflector
- 6 LED per modules
- Meets SAE 595 CLASS 1



MR6LB/MR6LBF LED LIGHTS



FEATURES

- MR6 Linear modules utilize the latest in 1W LED technology
- Surface or Flush mount 6 LED flashing modules
- Ideally suited for use in directional warning solutions
- These compact modules provide great versatility for a wide range of mounting options
- All modules are sealed, waterproof for external mounting applications
- Multiple flash patterns built-in
- Input Voltage: 12-24 VDC Nominal
- Synchronous or alternate operation
- Dimensions:
MR6LB: W-3.25", H-1.25", D-1.1"
MR6LBF: W-3.25", H-1.5", D-1.0"
- Available colors:



**MR6LB LED LIGHT
SURFACE MOUNT**



**MR6LBF LED LIGHT
FLUSH MOUNT**

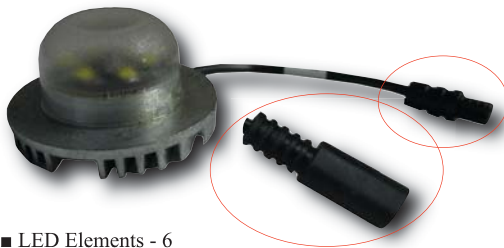


MR12LB LED LIGHTS



- MR12LB-X/X LED modules utilize the latest in 1W LED Technology
- Surface mount 2 x 6 LED flashing stacked modules
- Ideally suited for use in directional warning solutions
- All modules are sealed for external mounting applications
- Multiple flash patterns built-in
- Dimensions:
Width (Base) - 3.25"
Depth - 1.1"
Height - 2.75"
- Available colors:

L6I LED INSERT



- LED Elements - 6
- A single Master can trigger up to 6 Slave modules
- Ultra small
- Includes synchronize feature for alternating and synchronous flashing of multiple lamps
- Quick connect/disconnect harness *NEW FEATURE*
- Dimensions:
Base Diameter: 1.50", Height-1.25"
- Available colors:

ML6I LED LIGHTS



- Surface mount module
- Able to synchronize in both alternating and synchronous modes
- Safe low voltage wiring
- Quick connect/disconnect harness *NEW FEATURE*
- **Black** or **White** external bezel
- Dimensions: Base Diameter: 1.875", Height:0.75"
- Available colors:

INTIMIDATOR SERIES

F3.3000



- A compact easy to install siren & relay package with a remote control head with a built in PA Microphone
- Standard Siren tones
- Three level dimmer control for the push button backlights
- Radio re-broadcasting
- Park Kill
- Gun lock timer feature

F3.3100



- Arrowstick indicator display
- Operates one or two 100-watt speakers
- All control outputs are solid state relays
- All solid state relays are short circuit protected (no fuses to change)
- Meets SAE J1849
- Available in 12V or 24V operating voltages

PROTEC 1300S



- Hand held light & siren controller with built in PA Microphone
- Standard Siren tones
- Fully Backlit
- Radio re-broadcasting
- Park Kill
- All control outputs are solid state relays
- Available in 12V or 24V operating voltages
- Operates one or two 100W speakers
- Meets SAE J1849



LIGHT/SIREN CONTROLLERS

RDS SERIES

RDS-RK



- A compact full feature siren/relay modules
- 9 controlled outputs: 3@20Amp, and 6@10Amps
- All control outputs are solid state relays
- Radio re-broadcasting option
- Standard siren tones
- Park Kill
- Gun lock timer

RDS



- Operate one or two 100W speakers
- The touchpad includes a 4 position slide switch, 12 illuminated push button switches
- Traffic Advisor indicator (data to be used with D&R Advisor only)
- Meets SAE J1849

RDS16S

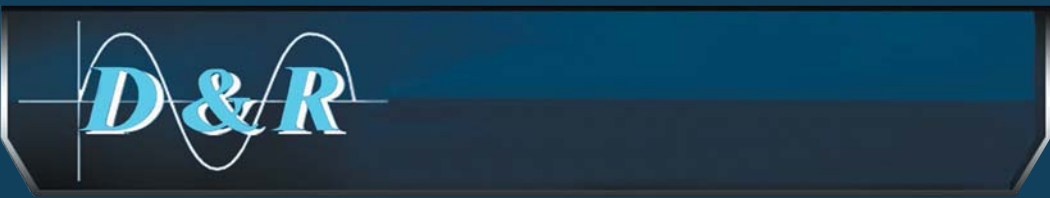


- Light & Siren control with full feature siren.
- 16 controlled outputs
- Radio re-broadcasting option
- All control outputs are solid state relays
- Park Kill
- Operates one or two 100W speakers
- Traffic advisor indicator (data to be used with D&R advisor only)
- Meets SAE J1849
- Gun lock timer

RDS17S



- Light & Siren control with full feature siren.
- 14 controlled outputs: 3@20Amps, 11@10Amps
- Radio re-broadcasting option
- All control outputs are solid state relays
- Park Kill & Gun lock timer
- Operates one or two 100W speakers
- The touchpad includes 4 position slide switch, 14 illuminated push button switches
- Traffic advisor indicator (data to be used with D&R advisor only)
- Meets SAE J1849



SPEAKERS/ SPEAKER BRACKETS

DRCS110 SPEAKER



- All weather nylon composite black housing with front loaded 100W speaker driver
- Exceeds Class A, SAE J1849 requirements
- Dimensions:
Width - 6.85",
Height - 6.35",
Depth - 2.78"

DRCS110 PUSHBUMPER SINGLE SPEAKER BRACKET 935-0067A



DRCS110 SINGLE SPEAKER BRACKET 935-0068A



Speaker Bracket for vehicles with EcoBoost engine.

DRCS100 SPEAKER



- DRCS100 is one of D&R's most innovative cast 100 W speakers
- Exceeds Class A SAE J1849 approved
- Dimensions:
Width - 6.5",
Height - 5.375",
Depth - 3.0"

SPEAKER BRACKET 935-0063A



- Speaker bracket for non-Pushbumper setup
- Bracket for DRCS100

ANTI-THEFT MODULES

ADT12



- Electronic Anti-Theft module
- Permits the removal of ignition key while the engine continues to run

ADT30A



- Automatic Anti-Theft module
- Activation upon door opening

LED MAPLIGHT

CA-0129 / CA-0130



- Available in: 12" and 18" lengths
- 3 Phase light intensity 1 Watt LED (Low, Medium, High)
- Available in 12 /24V
- 280 degree Turning Radius
- 1 Watt Red and White LED
- USB plug option available:
CA-0129-USB, CA-0130-USB



POWER DISTRIBUTION UNITS

The Power Distribution Units allow for elimination of long wasteful wire runs in public safety vehicle builds.

PDUs are divided into three configurations:

- Direct Continuous Power
- Ignition Controlled Power
- Timed Controlled Power
 - Power Management System
 - Organizes vehicle wiring runs
 - All power connections at one central location
 - Provides Direct Power, Ignition Power and Timed Power
- Organizes vehicle wiring runs
- All power connections at one central location
- Provides direct power, ignition power and timed power
- Easy installation, easy connection of accessory equipment

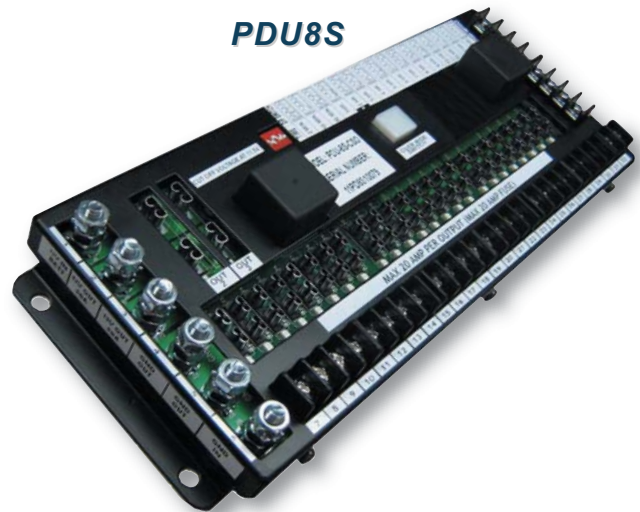
Each fused output has a red LED to indicate a blown circuit fuse or equipment problem. The timed outputs provide the ability for automatic shutdown of devices by a user selectable timing circuit of 2-minutes to 13-hours (after ignition key removed). This will allow for vehicle left with mobile radios, modems, computers to shut down power before causing the battery to be run dangerously low.

- Makes a safer electrical connection to vehicle
- Built-in Watchdog
- Protects Battery
- Visual condition of circuits
- Make a safer electrical connection to vehicles
- Built-in Watchdog (battery discharge protector)
- Fast and reliable vehicle installations

PDU14



PDU8S



PDU42WB



PDUYRP



GENERAL INFORMATION ABOVE, FOR DETAILS ON EACH MODEL, VISIT OUR WEBSITE @ www.dandrelectronics.com/emergency/products/power-distribution-units

***** NEW *****
IN-DASH SOLUTION

***** SPECIFY THE TABLET MODEL YOU ARE USING AND WE WILL DESIGN YOUR IN-DASH SOLUTION *****



D&R Electronics is proud to introduce its new innovative in dash solution for the new Ford Interceptor Sedan and Utility vehicle designed specifically by use of Police officers. The mount represents an ergonomic leap over conventional mounts. The advice, expertise and suggestions of numerous Police agencies were incorporated in tailoring this new slick design.

IN-DASH PRINTER SETUP



P/N: 901-0095A
For Pentax PocketJet Printer



901-0082A

- Designed to fit 2013 Ford Interceptor Sedan
- Console with mount base for LT7600 (sold separately)



901-0083A

- Designed to fit 2013 Ford Interceptor Sedan
- Console with sliding armrest and mount base for LT7600
- Floorplate not required to install this console
- Allows for mounting up to 5 pieces of equipment



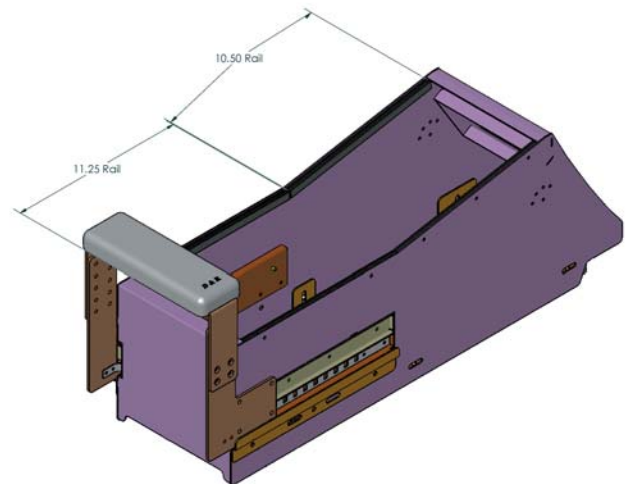
901-0084A

- Designed to fit 2013 Ford Interceptor Sedan
- Console without armrest and without mount base



901-0085A

- Designed to fit 2013 Ford Interceptor Sedan
- Console with sliding armrest



901-0111A

- Designed to fit 2013 Ford Interceptor Sedan
- Extended Console, fits up to 6 pcs of equipment

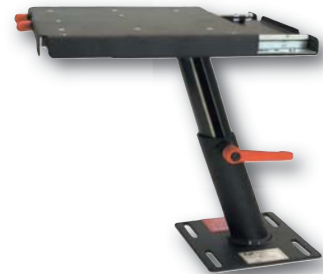




LAPTOP MOUNTS

- Laptop mount with bearing detent swivel, 80 degrees to passenger and driver
- The mount raises from 6.5" to 10" utilizing telescoping tubing w/heavy duty clamp lever
- Built-in slide tray with four 1.5" increments
- Air Bag compatible (in lower position)
- Laptop Tray / Docking Station optional
- Optional: Tilt Adapter Plate part #: 907-0175A

LT5100



- Telescoping laptop mount with adjustable mount base
- Ball bearing detent swivel base allows for 80 degrees swivel to both passenger and driver
- Angled, spring loaded telescoping riser lets mount height be adjusted from 6.5" to 11.5"
- Built-in slide tray with four 1.5" increments
- Air Bag compatible (in lowered position)
- Laptop Tray / Docking Station optional
- Optional: Tilt Adapter Plate part#: 907-0175A

LT5200



LT6600-A

- LT6600 Passenger Side Mount connects to the passenger seat bolts
- Full featured computer mount with height, tilt, dual 360 swivel and extension adjustments
- Utilizes laser cut swivel components to provide a compact unit ideal for small to full size cars and SUV's
- The LT6600 accepts all D&R laptop or MDT specific trays and universal trays

FUNCTIONALITY:

- Height Adjustment: height can be set by the user: LT6600-A from 13.5" - 21.50"
- Extension Adjustment: this adjustment allows the user to tilt move the computer towards or away from their reach to a comfortable working position (12"-16")
- Mounting Kit: Various kits are available depending on the make, model and year
- All mounts include braces for mount support
- Taurus Interceptor mounting kit: 906-0182A



LT7600

- Secures to top of D&R Console
- Dual 360 Degree swivels allow the computer to swing from the driver to the passenger seat
- LT7600 accepts all D&R computer specific trays, universal trays and popular keyboard trays
- Tilt adjustment allows the user to tilt the computer to a comfortable working position



ARMRESTS

904-0123A



Console mount Armrest with D&R logo pad.

904-0128A



Floormount Armrest with D&R logo pad.

904-0135A



Soft molded rubber Side mounting Console Armrest-Driver Side
904-0136A Passenger Side

CA-0211



Printer Armrest designed to enclose the PJ200 printer and paper spool

CA-0124



- Adjustable armrest with the rear mounted clip board holder

CA-0119



- Adjustable armrest
- Secures to equipment floor mounting plate

CA-0111



- Adjustable armrest with slide-out note pad
- Mounts to rear of console

CA-0118



- Adjustable armrest w/slide-out note pad
- Secures to equipment floor mounting plate

CA-0211

- Printer Armrest designed to enclose and protect the PocketJet printer & paper spool.
- Compact and ideally suited to mount in the confined space between the driver and passenger seats of all mid and full sized vehicles.
- CA-0210 is same as CA-0211 but mounts to the back of the D&R console.
Printer not included.



TICKETBOOK HOLDERS

CA-0105



- Ticket book holder with keyed locking lid
- Design to mount in console
- Dimensions: L-3.5" / W-8.0" / H-6.0"

CA-0105S



- Ticket book holder with keyed locking lid
- Design to mount in console
- Dimensions: L-3.5" / W-8.0" / H-3.0"

CA-0105M1



- Ticket book holder with keyed locking lid
- Design to mount in console
- Dimensions: L-7.0" / W-8.0" / H-6.25"

CA-0105M2



- Ticket book holder with keyed locking lid
- Design to mount in console
- Dimensions: L-10.5" / W-8.0" / H-6.25"

POWER OUTLETS

CA-0101



- Dual outlet 12V power accessory
- Individually switched, fused and backlit
- 15 Amp max per output

CA-0102



- Triple outlet 12V power accessory with lighter plug
- 15 Amp max per output

CA-0103



- Triple outlet 12V power accessory
- Mounts in console.
- Dimensions: Length - 8.0", Width - 3.5"

CUPHOLDERS

CA-0107LS



- Dual cupholder (one regular size cup and one large cup)
- Mounts in console
- Dimensions: L-4.25" / W-8.0"

CA-0107



- Dual cupholder (regular cup size)
- Mounts in console
- Dimensions: L-3.5" / W-8.0"

CA-0106



- Dual cupholder w/clipboard holder compartment
- Mounts to rear of console
- Dimensions: L-5.54" / W-8.43"

CA-0117L



- Dual cupholder w/two large cups
- Mounts to floor plate or flat surface
- Dimensions: L-5.69" / W-8.56"

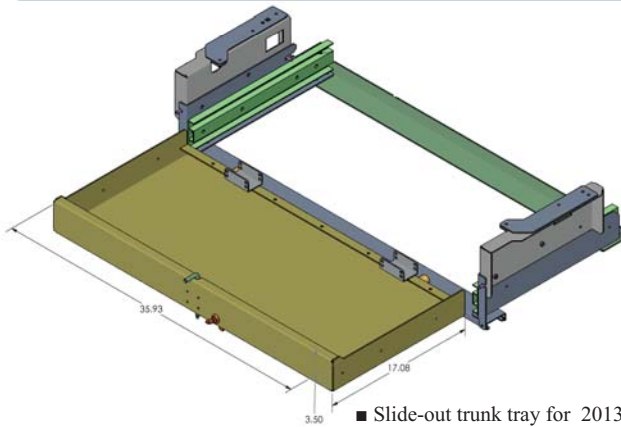
CA-0117



- Dual cupholder with two regular cup size
- Mounts to floor plate or flat surface
- Dimensions: L-4.88" / W-8.0"

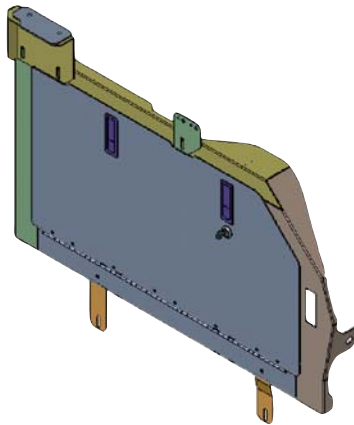


STORAGE SYSTEMS



- Slide-out trunk tray for 2013 Ford Interceptor Sedan
- Slides out for easy equipment placement and maintenance

SLIDE-OUT TRUNK TRAY 932-0024A (aluminum) 932-0027A (steel)



- Drop down electronics trunk door for mounting equipment
- Key lock



TRUNK ELECTRONIC MOUNT DOOR 932-0025A / 932-0026A

- Passenger (932-0026A) & driver (932-0025A) side available
- Mounting Surface area: Width - 31", Height - 17"

DOOR COVER REAR DOOR COVER (937-0321A)



WINDOW BARS REAR WINDOW BARS (937-0320A)



SHOWN WITH MR6 LIGHT KIT 937-0322A



**ISO 9001:2008
REGISTERED COMPANY**



D&R ELECTRONICS CO.LTD

**8820 GEORGE BOLTON PKWY.
BOLTON, ONTARIO L7E 2Y4 CANADA
TEL: 905-951-9997 / FAX: 905-951-0019
TOLL FREE: 1-800-538-7338
www.dandrelectronics.com**