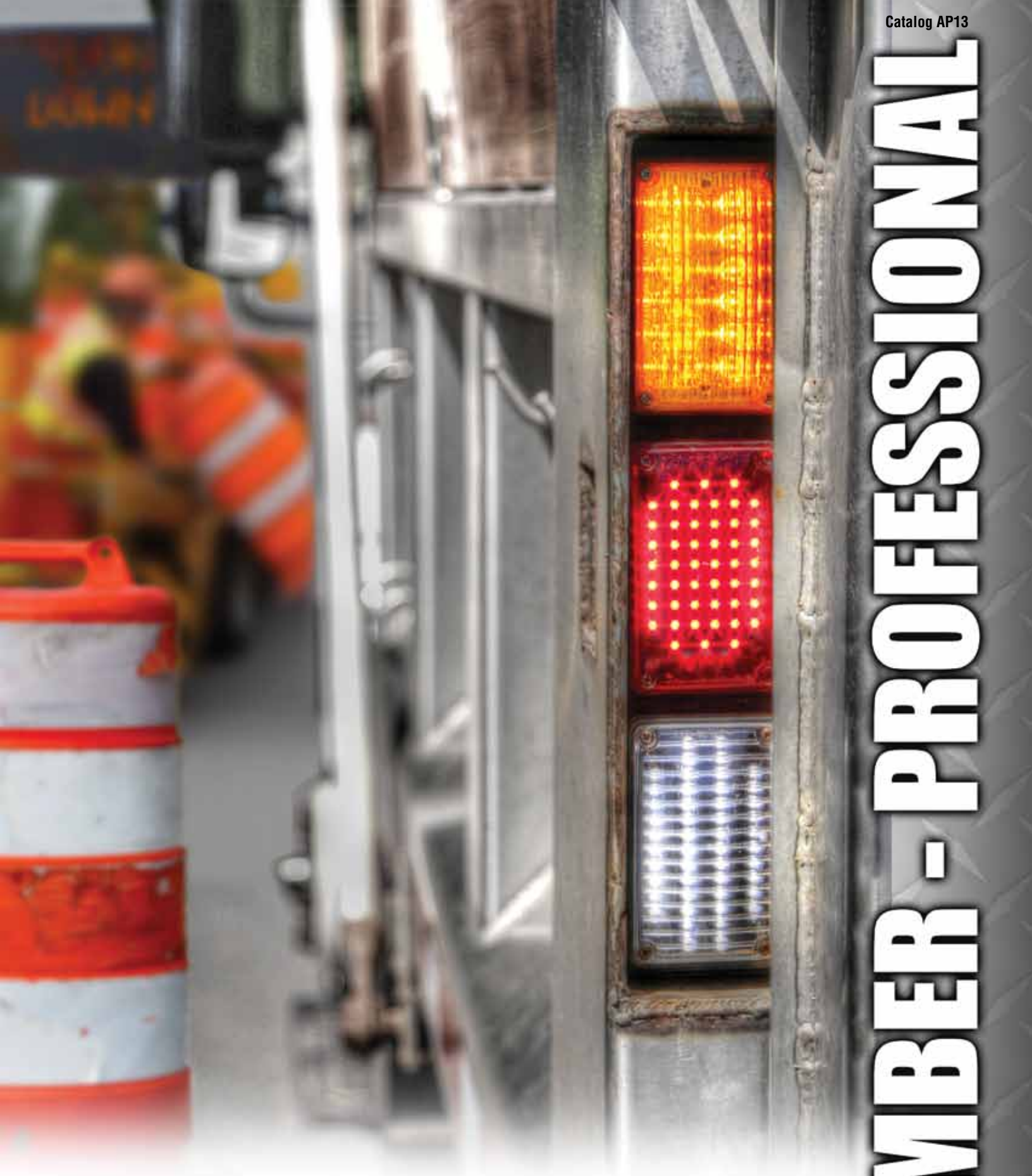


AMBER - PROFESSIONAL



WHELEN®



Officially Licensed
Warning Lights
of NASCAR®

All lenses and domes are Hard-Coated to resist salt or chemical damage and UV degradation!

INDEX

- Beacons 3-13
- Directional Lights 14-17
- Mini Lightbars 18-22
- Lightbars 23-26
- Traffic Advisors 27-29
- Lighthoods 30-44
- Work Lights 45-54
- Flashers 55
- Power Supplies & Controls 56
- Lighting Systems 57-58
- Back-Up Alarms 59
- Truck Rack 59
- DOT Systems 60-63
- Lamp Guide 64
- Certifications 65
- Warranty 66
- Alphabetical Index 67
- Whelen Capabilities 68-71



Branch guard for L41 Page 5



R316 & R416 Rotating Super-LED® Beacons Page 3



ION V-Series Page 16



Inner Edge® XLP Interior Lightbars Page 23



L10 Series DUO Beacons Page 6



V-23 Series Page 16



ION License Plate Bracket Page 16



Freedom Rotating Super-LED Lightbar Page 24



BTT lighthoods Pages 36-40



OR Series Door Panel Light Page 35



M7 Scenelight Page 42



500 Series Super-LED Waste Truck Light with connector Page 37



500 Series Super-LED Cab Light Page 37



8" Round Page 43



PCC6W1 & PCC10W1 Control Centers Page 56



PCCS9RW Page 56

WHAT'S NEW!! IN THIS CATALOG



SmartLED® refers to LED warning products that are self-contained and do not need an external flasher.



Gold Medallion 2 year warranty



Heavy-Duty Products 5 year warranty



Look for the "Made to Order" logo on products that are built to your specifications.



Pioneer SlimLine Recessed flanges Page 47



Pioneer Nano Page 46



Pioneer Universal Bail Bracket Page 49

Pioneer Pedestal/Swivel Page 49



Pioneer Pole Mounts Pages 51-52



Pioneer Tripod Pole Mounts Page 53



Pioneer Ground Tripod Page 53

R316 & R416 Series Rotating Super-LED® Beacons



Available Colors

Features:

- SAE Class 1 Certified.
- Medium profile, smooth polycarbonate outer dome, universal application.
- 100% Solid-state, no moving parts, no motors to wear out or malfunction.
- Conformal coated electronics for moisture and vibration resistance.
- Cruise light feature.
- Permanent mount models supplied with six input pigtails.
- Magnetic and magnetic/suction mount models supplied with 10' straight cord and cigar plug with LED indicator On/Off switch plus pattern control switch.
- Synchronizable with up to eight other Whelen Synchronous products.

Warranty:

- LED = 5 year

Models

Replace asterisk in model number with desired color. A = Amber, B = Blue, C = White, R = Red.

Model No.	Mount	LED Color	Dome Color	Base	Amps	FPM	VDC
NEW!! R316*F	permanent	single	color	powder coated cast aluminum	2-1/4 amps at 12 VDC	32 Scan-Lock™ with varying rotating flash rates Includes cruise light	12 24 available
NEW!! R316*M	magnetic						
NEW!! R316*V	magnetic/suction						
NEW!! R316**F	permanent	split color front/rear	color				
NEW!! R316**M	magnetic						
NEW!! R316**V	magnetic/suction						
NEW!! R416*F	permanent	single	color				
NEW!! R416*M	magnetic						
NEW!! R416*V	magnetic/suction						
NEW!! R416**F	permanent	split color front/rear	Clear				
NEW!! R416**M	magnetic						
NEW!! R416**V	magnetic/suction						

Options

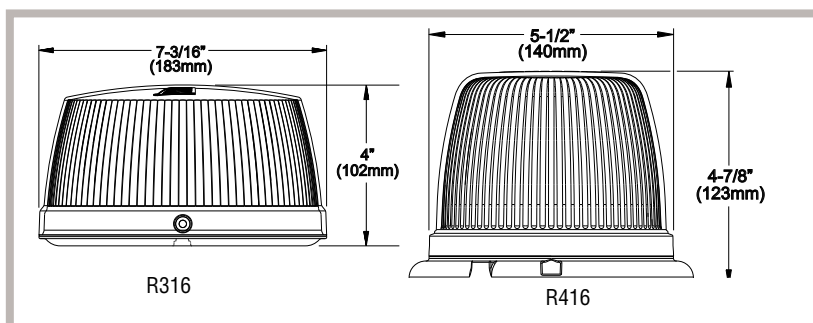
Model No.	Description
BBKT20	stainless steel shelf mount bracket
MIRROR20	stainless steel West Coast mirror mount bracket
RPHOTO	photocell for Hi/Low power
L360BGB	branch guard kit for R316
L40BG	branch guard kit for R416

Replacement Parts

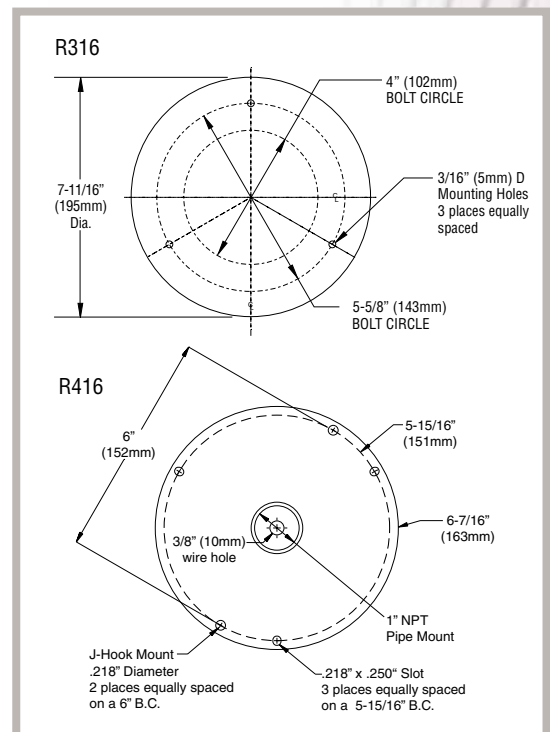
Model No.	Dome
R316	68-2984063-*0
R416	68-2986501-*0

* Use 1 for Amber, 3 for Clear

Dimensions



Mounting



L31 & L32 Series Super-LED® Beacons

Features:

- **SAE Class 1 Certified (Amber).**
- **L31 is certified to meet California Title XIII, Table 4 requirements.**
- **Heavy-duty powder coated die-cast base.**
- **Encapsulated electronics for moisture and vibration resistance.**
- **Alternately or simultaneously flash multiple patterns (Cross-Link™) with up to 8 Whelen Super-LED 360° beacons (perm mount).**
- **Includes 4 simulated rotating patterns and cruise light (perm mount).**

Warranty:

- **LED = 5 year**



L31HAF

L32LAF

Available Colors

Models

Replace asterisk in model number with desired color. A = Amber, C = Clear

Model No.	Mount	Profile	Base	Amps	FPM	VDC	Control	
L31H*F	permanent	high	die cast aluminum	2 / average 5 / peak	permanent mount 30 built-in Scan-Lock™ flash patterns plus 4 simulated rotating patterns	12	Hi/Low control	
L31H*M	magnetic						-	
L31H*V	magnetic/suction					-		
L31HAF4	permanent	low		1 / average 2.5 / peak		magnetic mount 75 SignalAlert™ only	12	Hi/Low control
L32L*F	permanent							-
L32L*M	magnetic					-		
L32L*V	magnetic/suction		-					
L32LAF4	permanent				24	Hi/Low control		

Options

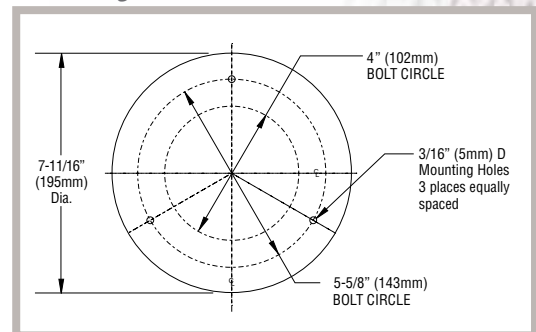
Model No.	Description
L360PMKT	1" NPT pipe mount kit for L31/L32
L360BGB	branch guard kit for L31/L32 allows 1" NPT pole mounting
MIRROR20	West Coast mirror mount brackets
BBKT30	stainless steel shelf mount bracket mounts to flat vertical surface

Replacement Parts

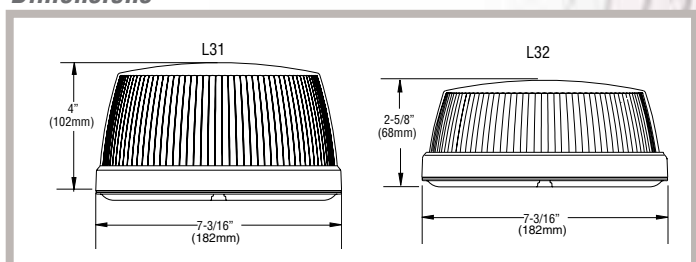
Dome
68-2984063-*0 (high)
68-2984099-*0 (low)

* Use 1 for Amber, 3 for Clear

Mounting



Dimensions



BBKT30 flat vertical surface mounting bracket



MIRROR20 mirror mount brackets

L41 Series Super-LED® Beacons

Features:

- L41 is SAE Class 1 Certified (Amber).
- Meets FAA Advisory Circular No. AC 150/5210-5D.
- Medium profile, smooth polycarbonate outer dome, universal application.
- Encapsulated electronics for moisture and vibration resistance.
- Zero EMI radiation.
- 50,000 hour rated life.
- Permanent mount model allows for permanent flat mount, J-Hook mount, or 1" NPT pipe mounting.
- Permanent mount supplied with five wire, 6" pigtail (Hi/Low, Scan-Lock™ and sync wire).
- Magnetic and magnetic/suction mount models supplied with 10' straight cord and cigar plug with LED indicator On/Off switch plus pattern control switch.

Warranty:

- LED = 5 year



L41AP

Available Colors

Models Replace asterisk in model number with desired color. A = Amber, C = Clear

Model No.	Mount	Base	Amps	FPM	VDC	Control
L41*P	permanent	cast aluminum powder coated	1.5 peak/0.6 avg. 12 V .75 peak/0.3 avg. 24V	75 SignalAlert™ default 25 total selectable including steady-burn	12/24	photocell Hi/Low on permanent mount only contact factory
L41*M	magnetic					
L41*V	magnetic/suction					

Options

Model No.	Description
BBKT20	stainless steel shelf mount bracket mounts to flat vertical surface
MIRROR20	West Coast mirror mount brackets
L40BG	branch guard



Replacement Part

Dome
68-2986501-*0

* Use 1 for Amber, 3 for Clear

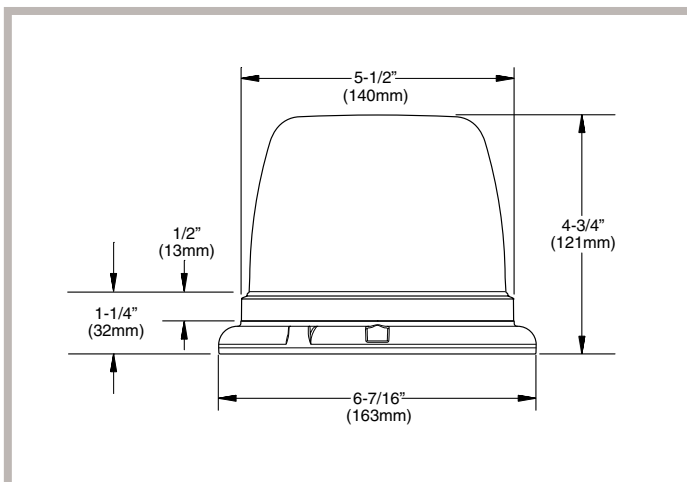


MIRROR20 West coast mirror mount brackets mounts directly on existing mirror brackets.

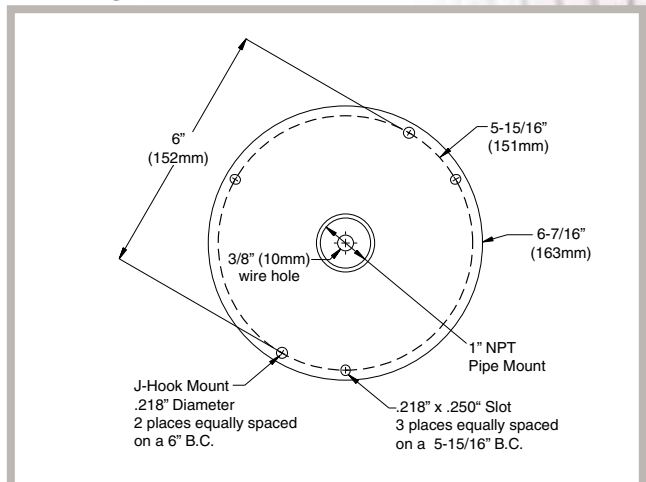


L40BG Branch guard.

Dimensions



Mounting



L10 Series Super-LED® Beacons



Available Colors

Features:

- SAE Class 1 Certified (Amber).
- Economical LED amber beacons.
- Eighteen total flash patterns including steady-burn.
- High and low domes.
- Permanent, magnetic and magnetic/suction mounts.
- Virtually no EMI radiation.
- NEW! DUO™ models of Amber/White or Amber/Blue with individual control of colors.
- DUO technology model has different color LEDs in the same module allowing beacon to flash different colors.

Warranty:

- LED = 5 year



L10LAP

L10HFP

Models

Replace asterisk in model number with desired color. A=Amber, C=White

Replace # in model number with desired DUO color. F=Amber/White, M=Amber/Blue



Model No.	Mount	Profile	Base	Amps	FPM	VDC	Color	Class				
L10H#P	permanent/pipe/hook	high	polycarbonate	1.0 / peak 0.4/ avg.	24 Scan-Lock™ flash patterns and synchronize feature	12	DUO	Class 1				
L10L#P		low					75 SignalAlert™ default pattern		24	Amber		
L10H*P		high								18 flash patterns available	12	for other colors, contact factory
L10H*P4												low
L10H*M	magnetic	high			12	for other colors, contact factory						
L10H*V	magnetic/suction					low	24		Amber			
L10L*P	permanent/pipe/hook	low							12	for other colors, contact factory		
L10L*P4						magnetic				24	Amber	
L10L*M	magnetic/suction	12			for other colors, contact factory							
L10L*V					magnetic/suction	24	Amber					

Options

Model No.	Description
MIRROR20	West Coast mirror mount bracket
BGH	branch guard, high dome
BGL	branch guard, low dome
BBKT20	stainless steel shelf mount bracket, mounts to flat vertical surface
MMK	90 lb. pull magnetic mount kit with 8' straight cord and plug
LSK	single lighted switch (15 amp rated), mounted on bracket, wired and fused



MIRROR20 West coast mirror mount brackets mount directly on existing mirror brackets.



BGH branch guard

Replacement Parts

Model No.	Dome
DH2000*	high dome
DL2000*	low dome

*Use A for Amber, C for Clear

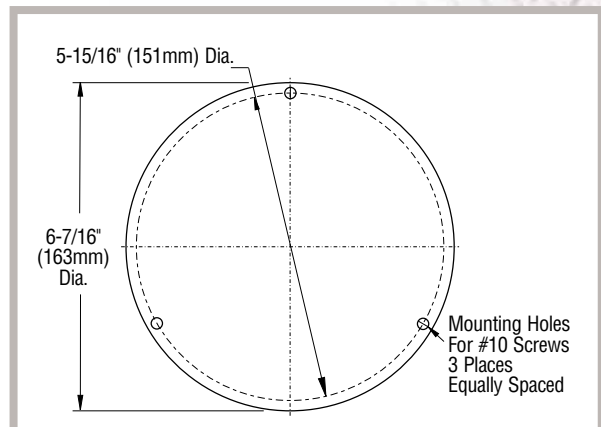


MMK magnetic mount kit

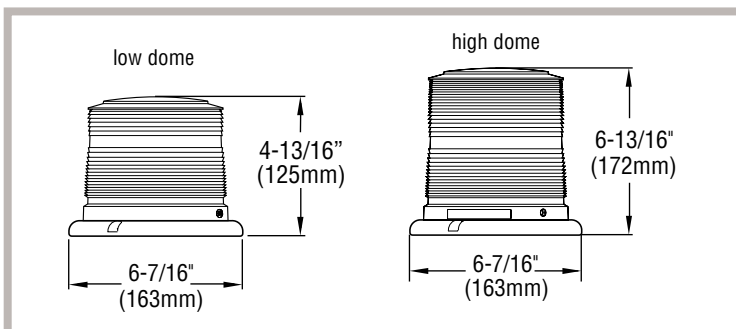


LSK lighted switch

Mounting



Dimensions



L21 & L22 Series Encapsulated Super-LED® Beacons

Features:

- **Combination mounting: permanent, pipe (1" NPT) and J-hook supplied with 6" pigtail.**
- **Virtually no EMI radiation.**
- **Combination mount available with photocell Hi/Low, contact factory.**
- **25 built-in Scan-Lock™ flash patterns plus SignalAlert™ default pattern.**



L21

- **SAE Class 1 Certified (Amber).**
- **Magnetic mounts supplied with 10' straight cord and cigar plug with LED indicator On/Off switch plus pattern control switch.**

L22

- **SAE Class 2 Certified (Amber).**
- **Magnetic mounts supplied with 10' straight cord and cigar plug with LED indicator On/Off switch.**



Available Colors

Warranty:

- **LED = 5 year**

Note: L21 & L22 magnetic and magnetic/suction mounts do not include synchronization or pattern control capabilities.

Models

Replace asterisk in model number with desired color.
A=Amber, B=Blue, C=White, G=Green, R=Red

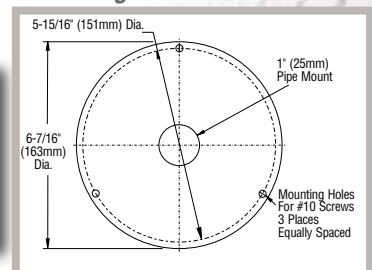
Model No.	Mount	Profile	Base	Amps	FPM	SYNC.	VDC	Colors	SAE	
L21H*P	combination	high	poly-carbonate	1.5 / peak 0.60 / average 12 VDC	25 Scan-Lock patterns including steady-burn	yes	12	Amber & White	J845 Class 1 360° (Amber)	
L21H*M	magnetic					-				
L21H*V	magnetic/suction					yes				
L21L*P	combination	low				0.75 / peak 0.30 / average 24 VDC	-			12
L21L*M	magnetic						-			
L21L*V	magnetic/suction						yes			
L21L*P4	combination			yes	24					
L22H*P	combination	high	poly-carbonate	0.65 / peak 0.26 / average 12 VDC	25 Scan-Lock patterns including steady-burn		yes	12	all 5 safety	J845 Class 2 360° (Amber)
L22H*M	magnetic						-			
L22H*V	magnetic/suction					yes				
L22L*P	combination	low				0.32 / peak 0.13 / average 24 VDC	-	12		
L22L*M	magnetic						-			
L22L*V	magnetic/suction						yes			
L22L*P4	combination			yes	24					

Options

Model No.	Description
BBKT20	stainless steel shelf mount bracket mounts to flat vertical surface
MIRROR20	West Coast mirror mount brackets
MMK	magnetic kit with 8' cord & plug
BGH	branch guard, high dome
BGL	branch guard, low dome
LSK	lighted switch kit mounted on bracket, wired & fused



Mounting



Replacement Parts

Dome
DH2000* (High)
DL2000* (Low)

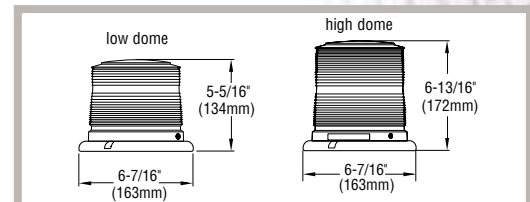


BBKT20 flat vertical surface mounting bracket



MIRROR20 West Coast mirror mount brackets, mount directly on existing mirror brackets.

Dimensions



*Use A for Amber, C for Clear

L50 Series Super-LED® Beacons

Features:

- SAE Class 1 Certified (L51 Series).
- SAE Class 3 Certified (L53 Series).
- Super-LEDs are rated for 100,000 hours of operation.
- Twist-off polycarbonate dome.
- Full reverse polarity protection.
- Permanent mount supplied with 6" pigtail.
- Magnetic mount has 8' straight cord with cigar plug with LED indicator On/Off switch and pattern control switch.

Warranty:

- LED = 5 year



Available Colors - L51

Models

Replace asterisk in model number with desired color. A = Amber, C = White

Model No.	Mount	Base	Amps	VDC	FPM	Encap- sulated	Colors	SAE
L51*P	permanent	polycarbonate	1.5 / peak 0.6 / avg	12	15 Scan-Lock™	yes	Amber & White	Class 1
L51*M	magnetic							
L53AP	permanent		0.4 / peak 0.16 / avg		75 SignalAlert only	-	Amber only	Class 3 (Amber)
L53AM	magnetic							

Options

Model No.	Description
MIRROR15	West Coast mirror mount bracket
BBKT15	stainless steel shelf mount bracket mounts to flat vertical surface

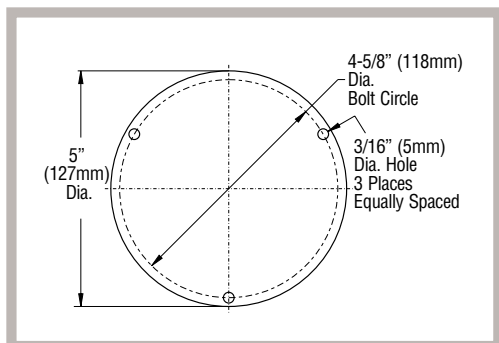


Replacement Part

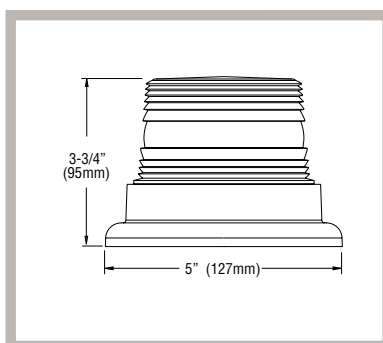
Dome
D1500*

* Use 1 for Amber, 3 for Clear

Mounting



Dimensions



2015 Series Strobe Beacons

Features:

- **SAE Class 2 Certified (all colors).**
- **Reverse polarity protection.**
- **Fully enclosed base protects against moisture and vibration.**
- **Silicone coated power supplies provide protection against the elements.**
- **Easy access for modular parts replacement.**
- **Magnetic mounts supplied with 8' cord and cigar plug.**
- **Magnetic mounts have 3 built-in available flash patterns.**

Warranty:

- **Power supply = 2 year**
- **Flash tube = 6 months**



2015LPA

2015HPA

Models

Replace asterisk in model number with desired color. A = Amber, C = White, R = Red, B = Blue, G = Green

Model No.	Mount	Profile	Base	Watts	Joules	FPM	VDC	Other
2015LP*	perm/pipe	low	polycarbonate	22 input	13	4 Scan-Lock patterns	12/24	manual Hi/Low control
2015LP*M	magnetic					72 QuintFlash™ default;		
2015LP*V	magnetic/suction					DoubleFlash, RapidRandom™ & ActionFlash™ also built-in		
2015HP*	perm/pipe	high		15 output		4 Scan-Lock patterns		
2015HP*M	magnetic					72 QuintFlash™ default;		
2015HP*V	magnetic/suction					DoubleFlash, RapidRandom™ & ActionFlash™ also built-in		

Options

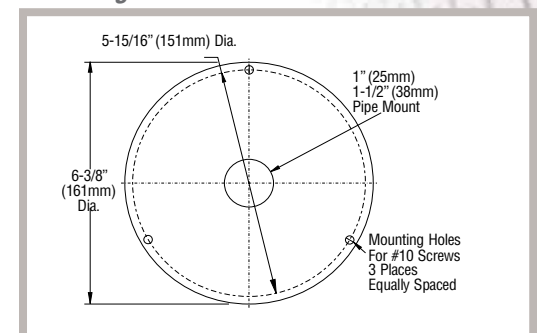
Model No.	Description
MMK	magnetic kit with 8' cord & plug
DCH	dust cover (high dome only)
BGL	branch guard, low dome
BGH	branch guard, high dome
LSK	lighted switch kit
MIRROR20	West Coast mirror mount bracket
BBKT20	stainless steel shelf mount bracket mounts to flat vertical surface
FT10A	3-Pin "U" strobe tube, plug-in, each

Replacement Parts

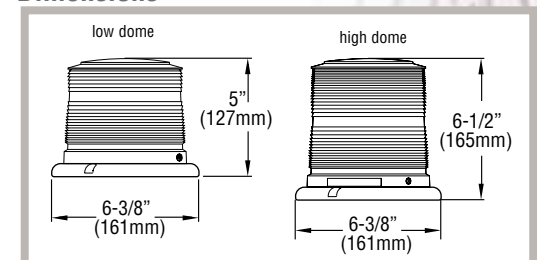
Dome	Flash Tube
DH2000* (high)	FT10A
DL2000* (low)	

*Use A for Amber, C for Clear, R for Red, B for Blue, G for Green

Mounting



Dimensions



MIRROR20 West Coast mirror mount brackets, mount directly on existing mirror brackets.



BBKT20 flat vertical surface mounting bracket

Ready to switch to LED? See Pages 6 & 7!

2022 Series Strobe Beacons

Features:

- **SAE Class 1 Certified (Amber & Clear).**
- **Reverse polarity protection.**
- **Fully enclosed base protects against moisture and vibration.**
- **Silicone coated power supplies provide protection against the elements.**
- **Easy access for modular parts replacement.**
- **Magnetic mounts supplied with 8' cord and cigar plug.**
- **Magnetic mounts have 3 built-in available flash patterns.**

Warranty:

- **Power supply = 2 year**
- **Flash tube = 6 months**



2022LPA

2022HPA



Models

Replace asterisk in model number with desired color. A = Amber, C = White, R = Red, B = Blue, G = Green

Model No.	Mount	Profile	Base	Watts	Joules	FPM	VDC	Control		
2022LP*	perm/pipe	low	polycarbonate	32 input	19	4 Scan-Lock patterns	12/24	manual Hi/Low control		
2022LP*M	magnetic					72 QuintFlash™ default; DoubleFlash, RapidRandom™ & ActionFlash™ also built-in				
2022LP*V	magnetic/suction					72 QuintFlash™ default; DoubleFlash, RapidRandom™ & ActionFlash™ also built-in				
2022HP*	perm/pipe	high		22 output		4 Scan-Lock patterns			12/24	auto Hi/Low control
2022HP*M	magnetic					72 QuintFlash™ default; DoubleFlash, RapidRandom™ & ActionFlash™ also built-in				
2022HP*V	magnetic/suction					72 QuintFlash™ default; DoubleFlash, RapidRandom™ & ActionFlash™ also built-in				
2022AP*	perm/pipe					4 Scan-Lock patterns		auto Hi/Low control		

Options

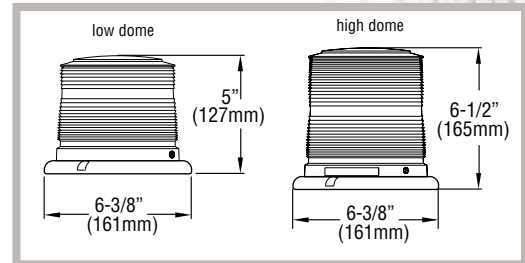
Model No.	Description
MMK	magnetic kit with 8' cord & plug
DCH	dust cover (high dome only)
BGL	branch guard, low dome
BGH	branch guard, high dome
LSK	lighted switch kit
MIRROR20	West Coast mirror mount bracket
BBKT20	stainless steel shelf mount bracket mounts to flat vertical surface
FT20A	3-Pin Helix 1-1/2 turn strobe tube, plug-in, each

Replacement Parts

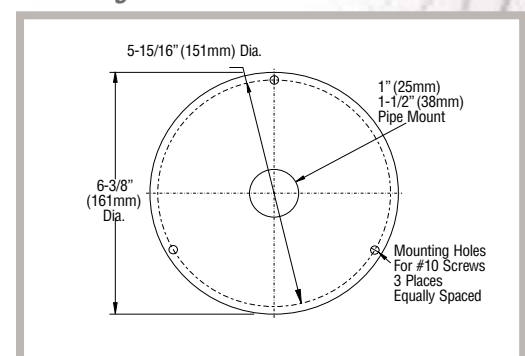
Dome	Flash Tube
DH2000* (high)	FT20A
DL2000* (low)	

*Use A for Amber, C for Clear, R for Red, B for Blue, G for Green

Dimensions



Mounting



MIRROR20 West Coast mirror mount brackets, mount directly on existing mirror brackets.



BBKT20 flat vertical surface mounting bracket

Ready to switch to LED? See Pages 6 & 7!

800D & 1200D Series HDP® Strobe Beacons

Features:

- **SAE Class 1 Certified (Amber & Clear).**
- **80 CometFlash® per minute, standard, multiple flash patterns available.**
- **Combination mounting: permanent/pipe mount or spade bolt mount.**
- **High-gain, self-cleaning, aerodynamic high profile dome.**
- **Low profile double fresnel optic dome.**
- **Magnetic mount supplied with 8' cord and cigar plug.**

Warranty: HDP® Heavy-Duty Professional

- **Power supply = 5 year**
- **Flash tube = 2 year**



Available Colors



Models Replace asterisk in model number with desired color. A = Amber, C = White

Model No.	Model	Mount	Profile	Base	Watts	Joules	FPM	VDC	Control
800DL*P	800D	perm/pipe	low	cast aluminum	36 input 25 output	19	80 CometFlash multiple flash patterns available on perm mount only	12/24	manual Hi/Low control
800DL*M		magnetic							
800DH*P		perm/pipe	high						
1200DH*P	1200D	perm/pipe	high/ high riser base						

Options

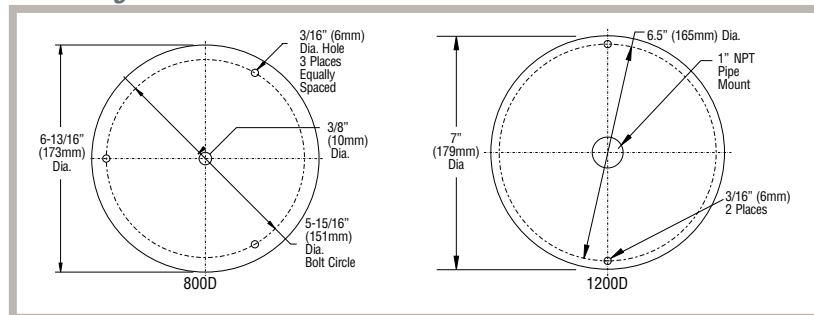
Model No.	Description
MMK	magnetic kit with 8' cord & plug
BGL	branch guard, low dome (800D only)
800BGH	branch guard, high dome (800D only)

Replacement Parts

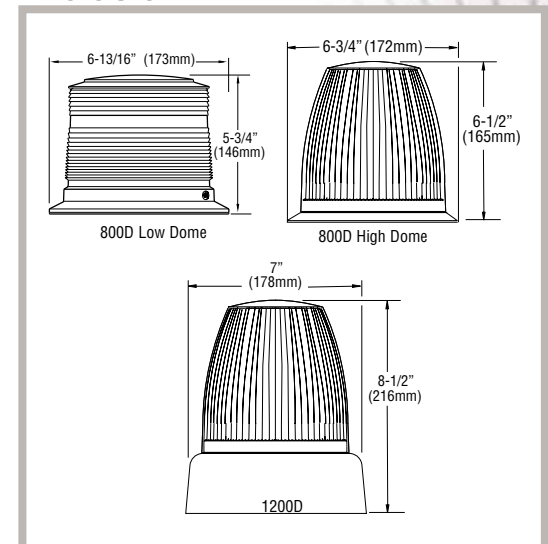
Dome	Flash Tube
HGDOMEH* (high)	80DTUBE
DL2000* (low) 800 only	

*Use A for Amber, C for Clear

Mounting



Dimensions



Ready to switch to LED? See Pages 3-8!

S360D Super Strobe® Series HDP® Strobe Beacons

Features:

- SAE Class 1 and California Title XIII Certified (Amber & Clear).
- 80 CometFlash® per minute, standard, multiple flash patterns available.
- Combination mounting: permanent/pipe mount or spade bolt mount.
- Features CROSS-LINK® Strobe Synchronization. Up to four S360 beacons can be connected to work as one system and configured to flash in an alternating or simultaneous pattern.
- Self-cleaning, smooth outer surface resists dirt build-up.

Warranty: HDP® Heavy-Duty Professional

- Power supply = 5 year
- Flash tube = 2 year



S360DAB



S360DAP



Available Colors

Models Replace asterisk in model number with desired color. A = Amber, C = White

Model No.	Mount	Base	Watts	Joules	FPM	VDC	Control
S360D*P	perm/pipe	cast aluminum	43 input	24	80 CometFlash	12/24	Hi/Low control
S360D*B	branch guard		30 output		multiple flash patterns available on perm mount only		

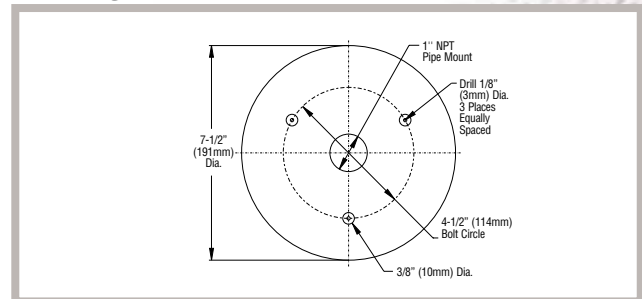


Replacement Parts

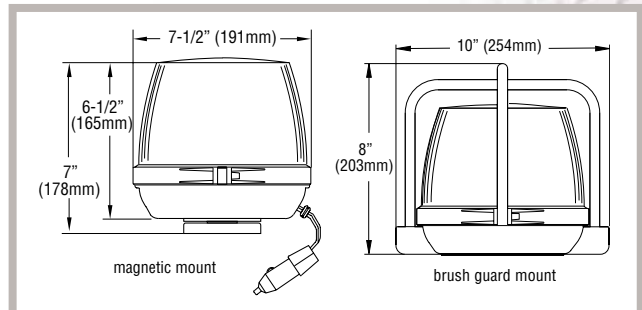
Dome	Flash Tube
68-2180347-*0	SSTUBE

* Use 1 for Amber, 3 for Clear

Mounting



Dimensions



Ready to switch to LED? See Pages 3-4!

RB6 Rota-Beam™ Rotating Halogen Beacon



Features:

- **SAE Class 1 Certified (Amber).**
- **Rotating halogen beacons.**
- **Rugged double roller bearing motor assembly providing superior durability and quiet operation.**
- **Magnetic mount supplied with 8' cord and cigar plug.**

Warranty:

- **Motor assembly = 3 year**



RB6TAP



RB6PAP

Available Colors

Models

Replace asterisk in model number with desired color. A = Amber, C = White

Model No.	Model	Mount	Base	Amps	Candlepower	VDC	FPM	Bulb
RB6P*P	RB6 Rota-Beam	perm/pipe	polycarbonate	4.5	110,000	12	150 single reflector	50 watt snap-in
RB6P*M		magnetic						
RB6T*P		perm/pipe			60,000		130 dual reflector	60 watt snap-in

Options

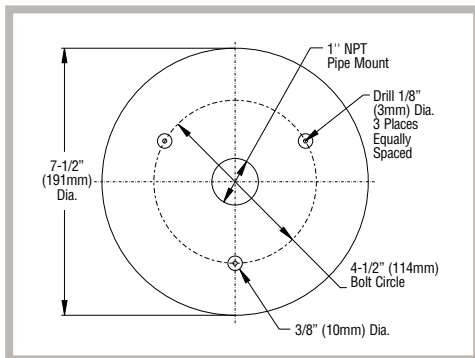
Model No.	Description
KCF*	color filter kit, customer installed for use with Clear outer dome (RB6P only)
RB6CF*	color filter kit, customer installed for use with Clear outer dome (RB6T only)
WMM6K	optional 90# pull magnet mount kit with 8' cord and plug

Replacement Part

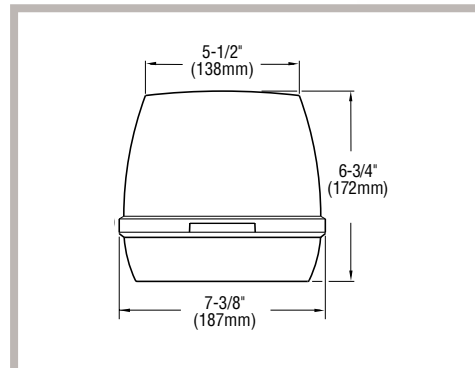
Dome
68-4161381-*0

* Use 1 for Amber, 3 for Clear

Mounting



Dimensions



Ready to switch to LED? See Pages 3-8!

SpitFire Plus™ Super-LED®

Features:

- **SAE J845 Class 1 Certified.**
- **LINZ6™ Super-LED® interior dash and deck light with low current draw.**
- **Fully encapsulated electronics for moisture and vibration protection.**
- **Includes integral hood, two suction cups, 10' cord with cigar plug with On/Off switch and pattern control switch.**

Warranty:

- **LED = 5 year**



SFP1A

Available Colors

Models Replace asterisk in model number with desired color. A = Amber, C = White

Model No.	Lamp	Amps	VDC	Flash Patterns	Size
SFP1*	LINZ6 Super-LED	0.30/avg 0.75/peak	12	69	1-9/16" (40mm) H x 3-1/2" (89mm) D x 4-3/8" (111mm) W

SpitFire™ ION™ Super-LED®

Features:

- **SAE Class 1 Certified.**
- **Super tough ultra compact interior use ION Super-LED light.**
- **8' straight cord with cigar plug, On/Off switch with LED "On" indicator and Scan-Lock pattern switch.**
- **Includes universal bracket, windshield suction cup mount.**

Warranty:

- **LED = 5 year**

Model Replace asterisk in model number with desired color. A = Amber, C = Clear/White



SFIONA

Available Colors

Model No.	Lamp	Amps	VDC	Flash Patterns	Size
SFION*	ION Super-LED	0.40/avg 1/peak	12	25 Scan-Lock™	1-5/8" (41mm) H x 3-3/8" (86mm) D x 5-1/8" (130mm) W

Avenger™ Super-LED®

Features:

- **SAE J845 Class 1 Certified.**
- **Single or dual Linear Super-LED interior lightheads.**
- **Swivel/bail bracket with three suction cups.**
- **Snap-on polycarbonate hood.**
- **AVN models have 10' cord with cigar plug with On/Off switch and pattern selection switch.**

Warranty:

- **LED = 5 year**

Models Replace asterisk in model number with desired color. A = Amber, C = Clear



AVN1A

AVNS2AA

Available Colors

Model No.	Lamp	Cable	Amps	VDC	Flash Patterns	Size (with shroud)
AVN1*	single	cigar plug	0.40/avg 1/peak	12	27	2" (50mm) H x 5-1/2" (140mm) D x 5" (127mm) L
AVN2**	dual		0.80/avg 2/peak		54	2" (50mm) H x 5-1/2" (140mm) D x 9-3/4" (248mm) L
AVNS1*	single	synchronized with 4 wire pigtail	0.40/avg 1/peak		34	2" (50mm) H x 5-1/2" (140mm) D x 5" (127mm) L
AVNS2**	dual		0.80/avg 2/peak		69	2" (50mm) H x 5-1/2" (140mm) D x 9-3/4" (248mm) L

Options

Model No.	Description
AVNBKT1	low profile mounting bracket for AVN1
AVNBKT2	low profile mounting bracket for AVN2

Model No.	Description
AVNBKT3	visor mounting bracket (2 required for dual unit)
AVNBKT4	adjustable height bracket kit for all models

FlatLighter™

Features:

- **SAE J845 Class 2 Certified.**
- **Interior use LED model.**
- **Designed to mount onto a visor and includes Velcro mounting straps.**
- **8' straight cord with cigar plug.**

Warranty:

- **LED = 5 year**



FLLEDAA

Available Colors

Models

Replace asterisks in model number with desired colors. A = Amber, C = Clear/White

Model No.	Lamps	Amps	VDC	Patterns	Size
FLLED**	dual LED	0.8	12	21 flash patterns	4-1/2" (114mm) H x 1-1/4" (32mm) D x 13" (330mm) L

SlimLighter™ Super-LED®

Features:

- **Meets SAE Class 1 requirements.**
- **Interior use only.**
- **Swivel bracket for permanent or suction cup mounting included.**
- **Built in pattern selection button, 10' straight cord w/cigar plug, On/Off switch with LED "On" indicator**

Warranty:

- **LED = 5 year**



SLPMAA

Available Colors

Model

Replace asterisk in model number with desired color. A = Amber, C = Clear/White

Model No.	Lamp	Amps	VDC	Flash Patterns	Other
SLPMM**	TIR6™ Super-LED®	0.6/avg 1.5/peak	12	21 Scan-Lock™	2" (52mm) H x 1-3/16" (46mm) D x 16-3/8" (416mm) L

Slim-Miser™

Features:

- **60 brilliant 5mm LEDs for interior use.**
- **Swivel mount with 3 suction cups securely hold dash light to windshield minimizing flashback.**
- **Change flash patterns via push button on back of product.**
- **10' straight cord with cigar plug, On/Off switch and LED "On" indicator.**

Warranty:

- **LED = 5 year**



SMLLAA

Available Colors

Model

Model No.	Lamp	Amps	VDC	Flash Patterns	Size
SMLLAA	LED	0.10/avg 0.33/peak	12	18 Scan-Lock™	1-5/8" (42mm) H x 2-3/4" (70mm) D x 12-7/8" (326mm) L.

ION™ Super-LED® Universal Mount

WHELEN

Features:

- SAE Class 1 Certified.
- Ultra compact water-resistant Super-LED® for interior or exterior use.
- Supplied with 6" pigtail.
- Synchronizable to other like Whelen Sync products.
- Universal mount bracket and secure double stick tape mounting.

Warranty:

- LED = 5 year

Models

* Replace with color desired: A=Amber, C=White

Model No.	Lamp Type	Color	Amps	VDC	Housing	Flash Patterns	Size
ION*	directional	Amber or White	0.40/avg 1/peak	12	Black	25 Scan-Lock™	7/8" (22mm) H x 1-1/4" (32mm) D x 4" (101mm) W
IONW*					White		
WION*	wide angle				Black		
WIONW*					White		



Available Colors

Options

Model No.	Description
IONK1W	swivel mount bracket, White
IONK1B	swivel mount bracket, Black
IONGROM	grommet mount kit

Model No.	Description
IONPEDB	Black pedestal mount
IONPEDC	Chrome plated pedestal mount
IONBKT1	license plate bracket for 2 lighthead



ION™ Super-LED® Surface Mount

Features:

- SAE Class 1 Certified.
- Ultra compact water-resistant Super-LED® for interior or exterior use.
- Available in single or split colors.
- Supplied with 6" pigtail.
- Synchronizable to other like Whelen Sync products.

Warranty:

- LED = 5 year

Models

* Replace with color desired: A=Amber, C=Clear

Model No.	Lamp Type	Color	Amps	VDC	Housing	Flash Patterns	Size
IONSM*	directional	Amber or White	0.40/avg 1/peak	12	Black	25 Scan-Lock™	7/8" (22mm) H x 1-1/4" (32mm) D x 4" (101mm) W
IONSMW*					White		
WIONSM*	wide angle				Black		
WIONSMW*					White		
WIONSMC*					Chrome plated		



Available Colors

ION™ Super-LED® V-Series

Features:

- SAE Class 1 Certified.
- Three in one triple purpose lighthead with 45° color warning, white illumination facing straight out and white illumination downward for ground lighting.
- Supplied with 6" pigtail.

Warranty:

- LED = 5 year

Models

* Replace with color desired: A=Amber, C=Clear

Model No.	Mount	Lamp Type	Color	Amps	VDC	Housing	Flash Patterns	Size
IONSV3*	surface	directional	Amber or White	0.40/avg 1/peak	12	Black	25 Scan-Lock™	1-3/8" (35mm) H x 1-7/8" (47mm) D x 5-5/8" (142mm) W
IONSV3*W						White		
IONSV3*C						Chrome		
IONSV3*	universal					Black		
IONSV3*W						White		



Available Colors



Raider™ Super-LED® Series

Features:

- **SAE Class 1 Certified.**
- **Interior or exterior use.**
- **Unique slide bolt housing offers versatile mounting, horizontal, vertical or even upside down.**
- **Pairs of single units may be synchronized to each other or to other Whelen synchronizing products.**
- **Dual units are synchronized together. Each lighthouse has its own Scan-Lock™ wire for alternate or simultaneous flashing the two lighthouses as well as pattern control.**

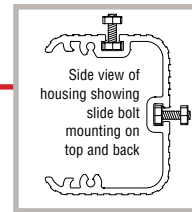
Warranty:

- **LED = 5 year**

Models

Replace asterisk in model number with desired color. A = Amber, C = Clear

Model No.	Lamps	Amps	VDC	Housing	Cable	FPM	Size
R1*	single 500 Series Linear-LED®	0.16/avg 0.4/peak	12	rugged extruded aluminum	2' 4-C	25 Scan-Lock (seven with phase 1 and phase 2, synchronization, plus eleven other patterns)	2-3/8" (60mm) H x 1-7/8" (48mm) D x 5-1/2" (140mm) L
R2**	dual 500 Series Linear-LEDs	0.32/avg 0.8/peak					2-3/8" (60mm) H x 1-7/8" (48mm) D x 11" (280mm) L



Available Colors

Dominator™ & Dominator Plus™ Super-LED Series

Features:

- **SAE Class 1 Certified.**
- **Low profile surface mount housing with choice of TIR3™ or LINZ6™ modules.**
- **Interior or exterior use.**
- **Fully encapsulated and waterproof.**
- **Internal self-contained electronics.**
- **Slide bolt mount.**
- **Small size fits many applications.**

Warranty:

- **LED = 5 year**



Dominator TIR3 Lighthouses



Dominator Plus LINZ6 Lighthouses



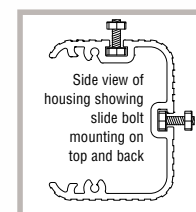
Available Color

Models

Model No.	# of Lamps	Lamp Type	Amps	VDC	Housing	Cable	Connectors	FPM	Size H x D	Length
D2AA	2	TIR3	0.2A/avg 0.44/peak per module	12	rugged extruded aluminum	12" small dia. 4-C #20 AWG	Molex water-proof	7 flash patterns and steady on mode pairs may be synchronized to each other	1-3/16" (35mm) H x 2-3/16" (55mm) D	7" (178mm)
D4AAAA	4									14" (356mm)
D6AAAAAA	6									21" (533mm)
D800800	8									28" (711mm)
DP2AA	2	LINZ6	0.30/avg 0.75/peak per module							7" (178mm)
DP4AAAA	4									14" (356mm)
DP600600	6									21" (533mm)
DP800800	8									28" (711mm)

Options

Model No.	Description
DBKT1	suction cup mount bracket & cigar plug cord kit for D2 series, customer installed
DBKT3	swivel mount bracket kit for D2 & D4 series only, customer installed
DBKT4	"L" angle mounting bracket kit, customer installed
DBKT6	Hatch mount bracket for 2008-2013 Chevy Tahoe, Interior mount, D8 only



For Dominator and Dominator Plus Traffic Advisors™ see page 27

Guardian™ Halogen & Strobe Mini Lightbars

Features:

- **SAE Certifications - see chart.**
- **Universal permanent mount version easily retrofits most competitive model footprints, as well as Whelen R2DX models.**
- **Permanent bolt mount versions include 6" pigtail; magnetic mount versions include: four 50 lb. pull magnets, 10' straight cord with in-line fuse and cigar plug with On/Off switch.**
- **Size: 6-1/4" (150mm) H x 7" (178mm) W x 17-5/16" (440mm) L.**

Warranty:

- **Strobe = 2 year / Halogen rotator = 3 year**



Models Replace asterisk in model number with desired color. A = Amber, C = Clear/White

Model No.	Technology	Mount	Amps	Light Output	VDC	FPM	Mirror	Control	Dome Color	SAE
G1P*	halogen	permanent	9	92,000 beam candlepower	12 (24 available upon request)	135 RPM 540 FPM	diamond	n/a	color outer dome	J845 Class 1 (Amber)
G1M*		magnetic								
G1V*		magnetic/suction								
G2P*		permanent				175 RPM 700 FPM				
G2M*		magnetic								
G2V*		magnetic/suction								
G7P*	strobe	permanent	3	12 joules 40 watt output	12/24	120 CometFlash® 480 total	Hi/Low intensity control (perm only)	color inner domes, clear outer dome	J1318 Class 1 (Amber)	
G7M*		magnetic								
G7V*		magnetic/suction								
G7PC**		permanent								
G7MC**		magnetic								
G7VC**		magnetic/suction								

Options

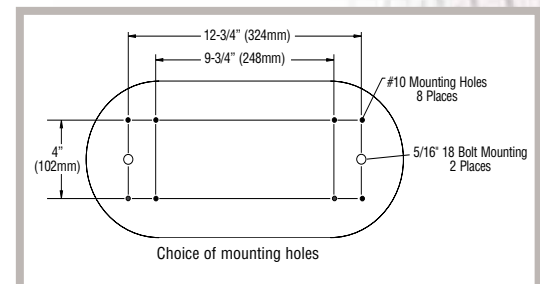
Model No.	Description
G1MM90	90 lb. pull magnet mount kit with cigar plug for G1 and G2
G7MM90	90 lb. pull magnetic mount kit with cigar plug for G7
INSTLRDX	installation of G1MM90 or G7MM90 (for permanent mount only)
KCFA	color filter kit for G1 & G2 Series, customer installed (clear outer dome only)

Replacement Parts

Model	Dome	Flash Tube	Halogen Bulb	Power Supply
G1 & G2	68-4983857-*0	--	H55H112	--
G7		FT20A	--	01-0264172-00

* Use 1 for Amber, 3 for Clear

Mounting



Responder® Mini Lightbars

Features:

- **SAE Certifications** - see chart.
- **Universal permanent mount version easily retrofits most competitive model footprints.**
- **Permanent bolt mount versions include 6" pigtail; magnetic mount and magnetic/suction versions include: 10' straight cord with cigar plug with LED on indicator, On/Off switch and pattern control switch.**
- **Size: 5-1/8" (130mm) H x 6-5/16" (160mm) W x 17-1/4" (438mm) L.**

Warranty:

- **LED = 5 year / Halogen rotator = 3 year**



R2HDPA



R10HDVA



Available Colors

Models

Replace asterisk in model number with desired color. A = Amber, C = Clear/White

Model No.	Technology	Mount	Amps	Light Output	VDC	FPM	Base	SAE
R2HDP*	halogen	permanent	9	92,000 beam candlepower	12 (24 optional)	135 RPM 540 FPM	aluminum	J845 Class 1 (Amber or Clear)
R2HDM*		magnetic						
R10HDP*	Super-LED®	permanent	9.0 peak	-	12	12 Scan-Lock™	aluminum	J845 Class 1 (Amber)
R10HDM*		magnetic						
R10HDV*		magnetic/suction	3.6 average			75 SignalAlert™		

Options

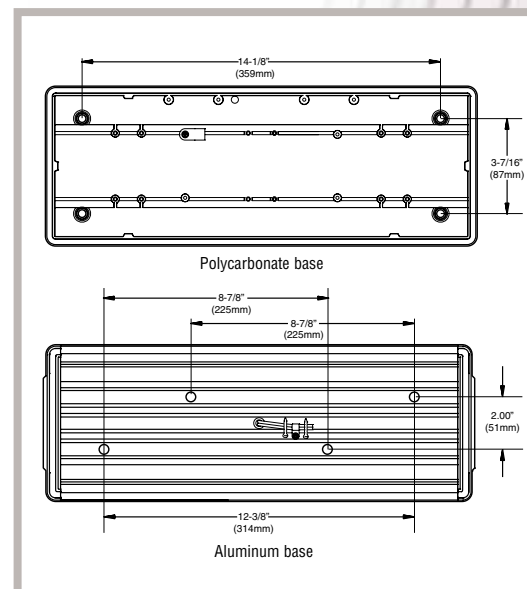
Model No.	Description
RDXMM90	90 lb. pull magnet mount kit with cigar plug
INSTLRDX	installation of RDXMM90 (for permanent mount only)
CFA	Amber filter kit for rotators, customer installed (clear outer dome only)

Replacement Parts

Model	Dome	Halogen Bulb
R2HD	68-1181893-*0	H50ASN12
R10HD		--

* Use 1 for Amber, 3 for Clear

Mounting



Responder[®] LP Super-LED[®] Mini Lightbars

Features:

- **SAE Class 1 Certified (Amber).**
- **Super-LED low profile linear (LIN6™) or conical (CON3™) mini lightbar.**
- **Choose heavy-duty extruded aluminum base or standard polycarbonate base.**
- **Permanent mount versions include 6" pigtail; magnetic mount and magnetic/suction versions include: 10' straight cord and cigar plug and LED indicator On/Off switch and pattern control switch.**
- **Polycarbonate dome with smooth exterior will not gather dirt and dust.**
- **DUO™ technology model has different color LEDs in the same module allowing lightbar to flash different colors.**

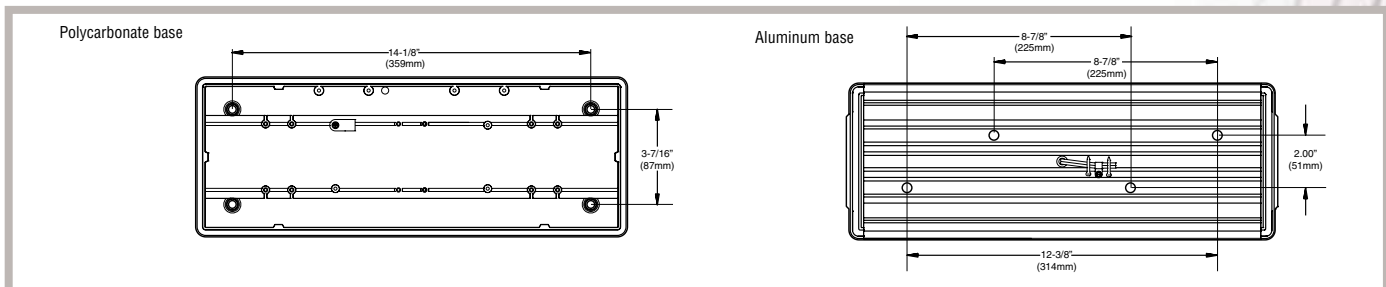
Warranty:

- **LED = 5 year**



Models

Model No.	Color	Dome Color	Mount	Base	Technology	Amps	VDC	FPM	Size	
R1LPPA	Amber	Amber	permanent	poly-carbonate	CON3 Super-LED	3 peak 1.2 average	12 (24V available in R2LPP R2LPM models)	30 Scan-Lock™ patterns including 4 simulated rotating patterns (perm mount only) ActionScan™ default for magnetic mount only	2-7/8" (74mm) H x 6-5/16" (160mm) W x 17" (432mm) L	
R1LPPCA		Clear	magnetic							
R1LPMA		Amber								
R1LPMCA		Clear	magnetic/suction							
R1LPVA		Amber								
R1LPVCA		Clear	aluminum							
R1LPHPA		Amber		permanent						
R1LPHPCA		Clear		magnetic						
R1LPHMA		Amber								
R1LPHMCA		Clear		magnetic/suction						
R1LPHVA		Amber								
R1LPHVCA		Clear	split color Amber/White	permanent					poly-carbonate	
R1LPPF	Clear	magnetic								
R1LPMF				magnetic/suction						
R1LPVF										
R2LPPA	Amber	Amber			permanent	poly-carbonate	LIN6 Super-LED	6 peak 2.4 average		33 Scan-Lock patterns
R2LPPCA		Clear		magnetic						
R2LPMA		Amber								
R2LPMCA		Clear	magnetic/suction							
R2LPVA		Amber								
R2LPVCA		Clear	aluminum							
R2LPHPA		Amber		permanent						
R2LPHPCA		Clear		magnetic						
R2LPHMA		Amber								
R2LPHMCA		Clear		magnetic/suction						
R2LPHVA		Amber								
R2LPHVCA		Clear	split color Amber/White	permanent	poly-carbonate					
R2LPPF	Clear	magnetic								
R2LPMF				magnetic/suction						
R2LPVF										
RDLPPAB	DUO Amber/Blue	permanent					DUO LIN6 Super-LED		12	



Century™ Super-LED® Mini Lightbars

Features:

- **SAE Class 1 Certified.**
- **Extruded aluminum platform for rugged, long-life dependability.**
- **Standard current switching with Scan-Lock™ flash patterns and pattern override.**
- **Low profile with compression fit gasket for superior moisture resistance.**
- **Clip-Lock™ system allows easy removal of lightbar domes.**
- **Pre-configured lightbars, no lighting options available.**

Warranty:

- **LED = 5 year**



Available Colors

Models Replace asterisk in model number with desired color. A = Amber, C = White

Model No.	Technology	Inboard Modules	Mount	Amps	VDC	FPM	Dome Color	Base	Size
MC11PA	linear Super-LED corners TIR6 Super-LED inboards	2 TIR6	permanent	3.6 peak 2.2 average	12	17 flash patterns	amber NOTE: also available with clear domes, Use "CA" suffix or contact factory	extruded aluminum platform	2-1/2" (64mm) H x 7-1/2" (191mm) W x 11" (279mm) L
MC11MA			magnetic						
MC11SA			3/4" (75mm) stud						
MC16PA		4 TIR6	permanent	4.8 peak 3 average					2-1/2" (64mm) H x 7-1/2" (191mm) W x 16" (406mm) L
MC16MA			magnetic						
MC16VA			magnetic/suction						
MC16SA			3/4" (75mm) stud						
MC23PA		8 TIR6	permanent	7.2 peak 4.4 average					2-1/2" (64mm) H x 7-1/2" (191mm) W x 23" (584mm) L
MC23MA			magnetic						
MC23VA	magnetic/suction								
MC23SA	3/4" (75mm) stud								

Freedom™ Super-LED® Mini Lightbars

Features:

- **SAE Class 1 Certified.**
- **Permanent mount includes MKEZ7 mounting kit.**
- **15' cable standard.**
- **Magnetic mount versions include: four 90 lb. pull magnets, 8' straight cord and cigar plug.**
- **Freedom models can add up to 4 additional inboard Super-LED modules, halogen work lights and alley lights.**

Warranty:

- **LED = 5 year**



FT8AAAAP
with optional FTDA

Available Colors

Models Replace asterisk in model number with desired color. A = Amber, C = White

Model No.	Technology	Mount	Amps	VDC	FPM	Base	Lens	Size
FT8****P	linear Super-LED	permanent	4 amps	12	13 Scan-Lock™ with external control SignalAlert 75	extruded aluminum I-Beam	clear outer lens	3-3/4" (95mm) H x 12" (304mm) W x 28-1/4" (717mm) L
FT8****M		magnetic						

Options

Model No.	Description
FTALY	two halogen alley lights for perm mount only
FTTD2	two halogen work lights for perm mount only

Model No.	Description
FTD**	two 400 Series Linear Super-LED modules
FTD****	four 400 Series Linear Super-LED modules

Liberty™ Super-LED® Mini Lightbars

Features:

- **SAE Class 1 Certified.**
- **Permanent mount includes MKEZ7 mounting kit.**
- **All models include 15 foot straight cord and cigar plug.**
- **Magnetic mount versions include four 90 lb. pull magnets.**
- **Clear outer lenses standard (optional color lenses available).**

Warranty:

- **LED = 5 year**



LT2AAAAM

Available Colors

Models Replace asterisk in model number with desired color. A = Amber, C = Clear/White

Model No.	Technology	Mount	Amps	VDC	FPM	Base	Size
LT2****P	linear Super-LED	permanent	4.5 peak 1.8 average	12	75 SignalAlert™ patterns	extruded aluminum	2-1/2" (64mm) H x 12" (304mm) W x 22" (558mm) L
LT2****M		magnetic					

Options

Model No.	Description
LTALY	two halogen alley lights
LTDD1	one front facing halogen take-down light

Justice® Super-LED® Mini Lightbars

Features:

- **SAE Class 1 Certified.**
- **Super-LED CON3™ modules and Linear Super-LED corners.**
- **Permanent models come with 15' cable, magnetic and magnetic/suction mount with 10' cord, cigar plug with On/Off switch with LED "On" indicator, and Scan-Lock™ flash pattern switch.**
- **Low profile, only 2-1/4" high.**

Warranty:

- **LED = 5 year**



MJYAAAAM with four optional JDCA inboard corner modules

Available Colors

Models Replace asterisk in model number with desired color. A = Amber, C = Clear

Model No.	Technology	Mount	Amps	Light Output	VDC	FPM	Base	Lens	Size
MJY****P	CON3 Super-LED	permanent	4 / peak 1.6 / avg. (4 corners only)	SAE Class 1	12	95 Scan-Lock patterns	extruded aluminum	clear outer lens	2-1/4" (57mm) H x 12" (304mm) W x 22" (558mm) L
MJY****M		magnetic							
MJY****V		magnetic/suction							

Options

Model No.	Description
JDC*	one CON3 Super-LED module
JDH*	one LTR3™, Super-LED module. For use with MJTDAL only

Model No.	Description
MJTDALL1	four LR11 Super-LEDs, two steady-burn take downs, and steady burn alley lights with 15° horizontal adjustment, for permanent models only. (Replaces MJTDAL)

Inner Edge® XLP Super-LED® Lightbars

Features:

- **SAE Class 1 Certified.**
- **Extra Low Profile (XLP) full featured interior lightbar.**
- **Designed to blend with vehicles existing interior.**
- **Available in 3-LED™ and 6-LED™ DUO™ models.**
- **DUO technology models have different color LEDs in the same module allowing lightbar to flash different colors, with independent control of each color.**
- **6-LED DUO module is Amber/White.**
- **Easy installation. Mounts to visor anchor points.**
- **Requires customer supplied switches or control head, purchased separately.**
- **Order by choosing the desired housing model, and then add LED lighthouse colors.**
- **3-LED models have additional TIR3™ and LIN3™ lens supplied to customize light dispersion.**

Warranty:

- **LED = 5 year**



Models

Model No.	Vehicle	Vehicle Year	Technology	No. of Housings	No. of Warning Lamps	No. of Work Lights	VDC	Housing	Configuration
IX41UF5P	Ford F150	2012-2013	3-LED Super-LED	one piece passenger side	5	1	12	rugged Black powder coated aluminum	
IX41UF6P				two piece	6	-			
IX41UFZ				two piece	10	2			
IX41UFX				two piece	12	-			
IX39UF5P	Ford F250/350	2012-2013		one piece passenger side	5	1			
IX39UF6P				two piece	6	-			
IX39UFZ				two piece	10	2			
IX39UFX				two piece	12	-			
IX42UF5P	Dodge Ram	2011-2013	one piece passenger side	5	1				
IX42UF6P			two piece	6	-				
IX42UFZ			two piece	10	2				
IX42UFX			two piece	12	-				
IW41UF6P	Ford F150	2012-2013	6-LED DUO Super-LED	one piece-passenger side	6	6 DUO			
IW41UFX				two piece	12	12 DUO			
IW39UF6P	Ford F250/350	2012-2013		one piece-passenger side	6	6 DUO			
IW39UFX				two piece	12	12 DUO			
IW42UF6P	Dodge Ram	2011-2013		one piece-passenger side	6	6 DUO			
IW42UFX				two piece	12	12 DUO			



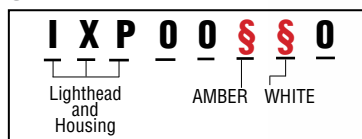
How To Order Light Module Colors

Replace symbol \$ with number of color LED lighthoods desired. No charge with lightbar order. White is DUO default color. For double digit numbers, use X for 12, and Z for 10

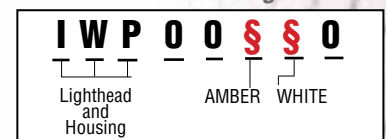
EXAMPLES of model numbers:

- IXP00X00 = 12 Amber lighthoods
- IWP00600 = 6 Amber lighthoods, passenger side
- IWD00600 = 6 Amber lighthoods, driver side

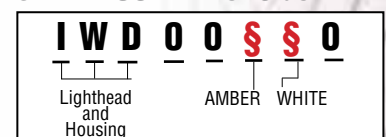
3-LED



6-LED DUO - Passenger Side



6-LED DUO - Driver Side



Freedom™ Super-LED® Lightbars



Features:

- **SAE Class 1 Certified.**
- **Add Linear-LEDs™ in pairs to a total of 16 modules.**
- **Many options available; consult price list and/or WeCad™ software.**
- **Optional slide bolt or 5" riser mount available.**
- **15' passenger side cable, optional 25' driver side exit.**
- **Super-LED rivals strobe in intensity with only 30% of strobe amp draw.**



Freedom Super-LED shown with available options

WeCan® models available, contact factory.
WeCan models allow for front and rear Traffic Advisor™ function.

Warranty:

- **LED = 5 year**

Models

Replace asterisk in model number with desired color. A = Amber, C = Clear/White

Model No.	Technology	Length	Size H x D	Lighting	Mount	Amps	VDC	FPM	Base	Lenses
FL4****	Linear Super-LED	44-3/8" (113cm)	3-3/4" (95mm) H x 10" (254mm) D	standard corner modules	MKEZ7 permanent	4 / peak 1.6 / average	12	75 SignalAlert™ per head (default pattern) 21 Scan-Lock™ patterns	heavy-duty extruded aluminum I-Beam	Clear outer standard, optional color available
FL8****		49-3/4" (126cm)								
FL2****		55-1/8" (140cm)								
FX4****		44-3/8" (113cm)		extended corner modules	Adjustable mount MKAJ available	4.92 / peak 1.97 / average				
FX8****		49-3/4" (126cm)								
FX2****		55-1/8" (140cm)								

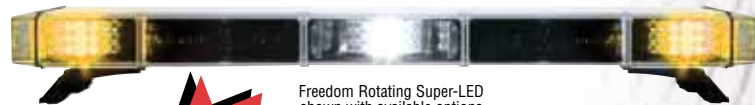
Available Colors

Freedom™ Rotating Super-LED® Lightbars



Features:

- **SAE Class 1 Certified.**
- **Start with four half modules, and add up to six more.**
- **No moving parts. 100% solid-state.**
- **Standard switching.**
- **20' passenger side cable.**
- **Many options available; consult price list and/or WeCad software.**



Freedom Rotating Super-LED shown with available options



Warranty:

- **LED = 5 year**

Models

Replace asterisk in model number with desired color. A = Amber, C = Clear/White

Model No.	Technology	Length	Size H x D	Lighting	Mount	Amps per rotator	VDC	FPM	Base	Lenses
FR4****	rotating Super-LED	44-3/8" (113cm)	3-3/4" (95mm) H x 12" (304mm) D	half module rotating	MKEZ7 permanent	1.3A / peak .6 / average	12	multiple Scan-Lock flash patterns, some with varying flash rates	heavy-duty extruded aluminum I-Beam	hard coated Clear outer standard, optional color available
FR8****		49-3/4" (126cm)								
FR2****		55-1/8" (140cm)								
FR0****		60" (152cm)								
FR7****		72" (183cm)								



Available Colors

Note:

All lightbars require a Lightbar WeCad™ form with order. The Lightbar WeCad Program allows customers to describe the details of a lightbar. Lightbar WeCad will display all possible options and mounting kits for a lightbar and the current list price for those options. The WeCad program is available at: www.whelen.com/downloads/index.htm

See Page 56 for Power Control Centers and Switches

Justice® Super-LED® Lightbars



Features:

- **SAE Class 1 Certified.**
- **CON3™ directional modules have removable optic spreading filter.**
- **Center section available with single Linear6™, CON3 or two LTR3s™ (for split color center section).**
- **Front, rear and all bar operation control, optional Scan-Lock™ flash patterns, low power and pattern override feature.**
- **Service oriented. Change colors, upgrade or service lightbar in the field.**
- **15' passenger side exit cable.**
- **Many options available; consult price list and/or WeCad™ software.**



Justice shown with optional inboard modules and work lights

Available Colors

Warranty:

- **LED = 5 year**

WeCan™ models available, contact factory.

WeCan models allow for front and rear Traffic Advisor™ function.

Models

Replace asterisk in model number with desired color. A = Amber, C = Clear/White

Model No.	Technology	Length	Size H x D	Mount	Inboard Lighting	Control	VDC	FPM	Base	Lenses
JC4****	4 extended Linear-LED® corners	44" (112cm)	2-1/4" (57mm) H x 12" (304mm) D	permanent MKEZ7 adjustable MKAJ available	optional CON3 modules	front/rear & all bar control	12	multiple flash patterns	Black polycarbonate on extruded aluminum platform	Clear outer standard color lenses available
JC8****		50-1/8" (132cm)								
JC2****		56-1/4" (152cm)								
JE4****	4 standard Linear-LED corners	44" (112cm)								
JE8****		50-1/8" (132cm)								
JE2****		56-1/4" (152cm)								

Liberty™ Super-LED® Lightbars



Features:

- **SAE Class 1 Certified.**
- **Add Linear-LEDs® in pairs to a total of 16 modules.**
- **Front, rear and all bar operation control, optional Scan-Lock flash patterns, low power and pattern override feature.**
- **Service oriented. Change colors, upgrade or service lightbar in the field.**
- **15' passenger side exit cable.**
- **Many options available; consult price list and/or WeCad software.**



Liberty shown with optional inboard modules and work lights

Available Colors

Warranty:

- **LED = 5 year**

WeCan™ models available, contact factory.

WeCan models allow for front and rear Traffic Advisor function.

Models

Replace asterisk in model number with desired color. A = Amber, C = Clear/White

Model No.	Technology	Length	Size H x D	Mount	Inboard Lighting	Control	VDC	FPM	Base	Lenses
SX4****	4 extended Linear-LED corner modules	43-1/8" (110cm)	2-1/2" (64mm) H x 12" (304mm) D	permanent MKEZ7 adjustable MKAJ available	Linear-LED modules in pairs (up to 12 optional modules)	front/rear & all bar control	12	75 SignalAlert™ default: 21 Scan-Lock patterns	extruded aluminum top and base	standard color lenses available
SX8****		48-1/2" (123cm)								
SX2****		54" (137cm)								

Note:

All lightbars require a Lightbar WeCad™ form with order. The Lightbar WeCad Program allows customers to describe the details of a lightbar. Lightbar WeCad will display all possible options and mounting kits for a given lightbar and the current list price for those options. The WeCad program is available at:

www.whelen.com/downloads/index.htm

See Page 56 for Power Control Centers and Switches

Towman's™ Super-LED® Lightbars



Available Colors

Features:

- **SAE Class 1 Certified.**
- **Includes rear facing LED brake/tail/turn signals, Justice® Series has LED work lights, standard, other models have halogen work lights standard.**
- **Many options offered either factory or customer installed.**
- **Front/rear warning lights separately controlled on Super-LED lightbars.**
- **Justice lightbar. Add as many CON3™ modules until lightbar is completely filled.**
- **Century™ has 4 corner modules plus 4 Linear-LED® warning modules (2 front, 2 rear).**
- **Available in Red, Blue or Red/Blue, contact factory.**



Warranty:

- **LED = 5 year**

Models

Model No.	Series	Length	Size H x D	Lighting	Inboard Warning Lights	Mount	VDC	FPM	Base	Lenses
CW0BAAA	Century	60" (154cm)	2-1/4" (57mm) H x 12" (304mm) D	4 Linear-LED® corners 2 Super-LED work lights, 2 LED brake/tail/turn lights	4 Amber Linear-LEDs (2front/2rear)	3 adjustable slide bolts	12	Action-Scan™	extruded aluminum I-Beam	color lenses standard
FLOTAAAA	Freedom™		3-3/4" (95mm) H x 10" (254mm) D	4 bi-level Linear-LED corners 2 halogen work lights, 2 LED brake/tail/turn lights	optional			4 adjustable slide bolts	75 Signal-Alert™	extruded aluminum I-Beam
SLOTAAAA	Liberty™		2-1/2" (64mm) H x 12" (304mm) D	4 Linear-LED corners, 2 halogen work lights, 2 LED brake/tail/turn lights	(add up to 12 linear lighthoods in pairs)	3 adjustable slide bolts				Action-Scan
JF0TAAAA	Justice	62-3/8" (158cm)	2-1/4" (57mm) H x 12" (304mm) D	4 Linear-LED® corners 2 Super-LED work lights, 2 LED brake/tail/turn lights	optional*		5 Amber CON3s* & Traffic Advisor™	Black polycarbonate base on extruded aluminum platform		
JF0BAAA					6 Amber CON3*					
JF0DAAA					5 Amber CON3s* & Traffic Advisor™					

* Note: Can also add options

Century Options

Model	Description
CEDLXA	one LIN12, Amber
CDT6A	one TIR6, Amber

Liberty Options

Model	Description
SLEAA	two Linear-LED lighthoods, factory installed, Amber
SLTTALN6	six lamp Linear-LED Traffic Advisor with TACTRLD1 (requires deletion of work lights or brake/tail/turn lights)
SLTTALED	six lamp 5mm LED Traffic Advisor with TACTRLD1 (requires deletion of work lights or brake/tail/turn lights)
SLETKAA	two Linear-LED lighthoods, customer installed, Amber
DELSLEBT	delete brake/tail/turn lights
DELSLEWL	delete work lights

Freedom Options

Model	Description
FLDSCBL	driver side cable exit
FLETAA	two single level TIR style lighthoods, factory installed, Amber
FLETKAA	two single level TIR style lighthoods, customer installed, Amber
DELFLTBT	delete brake/tail/turn lights
DELFLWL	delete work lights

Justice Options

Model	Description
JDC*	one CON3

Replace asterisk in model number with desired color.
A = Amber, R = Red, B = Blue

See Page 56 for Power Control Centers and Switches

Traffic Advisors™ Super-LED® Straight Style

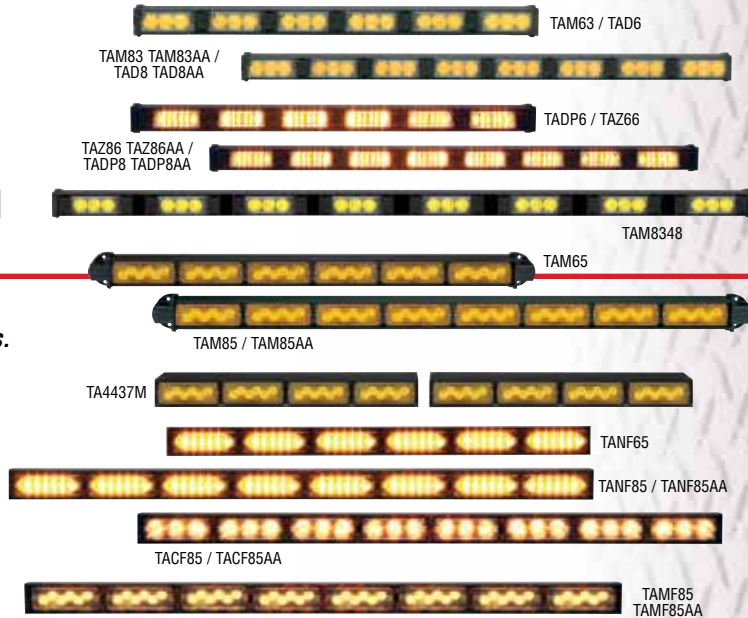


Features:

- 15' cable standard, contact factory for additional lengths.
- Black, extruded aluminum housing.
- LEDs rated for 100,000 hours of operation.
- Includes control head (not TAD models).
- Four operating modes; left, right, split & flashing. Rear dip switch provides 8 flash pattern choices.
- Interior or exterior applications.

Warranty:

- LED = 5 year



Available Color

Models

Model No.	Technology	No. of Modules	End Flasher	Mount	Control Head	VDC	Housing	Encapsulated	Size H x D	Length				
TAM63	TIR3™	6	-	surface mount/ slide bolt	TACTLD1 included	12	extreme low profile one piece	yes	1-3/4" (44mm) H x 2-3/16" (55mm) D	23" (58cm)				
TAM83		8	yes							30-7/8" (78cm)				
TAM8348			48" (122cm)											
TAD6		TIR3 Dominador™ Series	6							-	requires optional TADCTL1 or customer supplied switches	23" (58cm)		
TAD8	8		yes		30-7/8" (78cm)									
TAD8AA					23" (58cm)									
TADP6	LINZ6™ Dominador Plus™ Series		6		-					30-7/8" (78cm)				
TADP8		8	yes		23" (58cm)									
TADP8AA					30-7/8" (78cm)									
TAZ66		LINZ6	6		-					23" (58cm)				
TAZ86	8		yes		30-7/8" (78cm)									
TAZ86AA					30-7/8" (78cm)									
TAM65	500 Series TIR6™	6	-	surface mount / thru-bolt endcaps	TACTLD1 included	low profile flat style one piece	yes	2-7/8" (73mm) H x 2-1/4" (57mm) D	36" (91cm)					
TAM85		8	yes						46-7/8" (119cm)					
TAM85AA			22-3/4" (58cm) each piece											
TA4437M		6	-	surface mount/ slide bolt					TACTLD1 included	rectangular split 2 piece	yes	2-1/2" (64mm) H x 4-7/16" (113mm) D	34" (86cm)	
TANF65	500 Series Linear-LED®	6	-		45-1/8" (115cm)									
TANF85		8	yes		46-7/8" (119cm)									
TANF85AA			45-1/8" (115cm)											
TAMF85	TIR6 500 Series	8	-		front load rectangular one piece	TACTLD1 included	yes	2-3/8" (60mm) H x 2-3/8" (60mm) D					46-7/8" (119cm)	
TAMF85AA		yes	45-1/8" (115cm)											
TACF85		CON3™ front load	8										-	46-7/8" (119cm)
TACF85AA			yes										45-1/8" (115cm)	

Options

Model No.	Description
TACTLD1	control head only for 6 & 8 lamp LED Traffic Advisor, includes remote flash control and end lamp enable/disable feature
DELTALD1	delete TACTLD1 from 6-8 lamp LED Traffic Advisor
TAWPKT2	waterproof butt splice upgrade kit for 8 lamp Traffic Advisor, factory installed
DBKT6	interior hatch mount bracket for 2008-12 Chevy Tahoe for TAD8, TADP8, TAM83 and TAZ86 only

Model No.	Description
TADCTL1	control head for TAD/TADP Dominator Traffic Advisor only
TADSW1	On/Off non-lighted SPDT 20 amp switch for TADCTL1 Dominator control head
TADSW2	On/Off/On non-lighted SPDT 20 amp switch for TADCTL1 Dominator control head



Traffic Advisors™ LED & Halogen, Straight Style

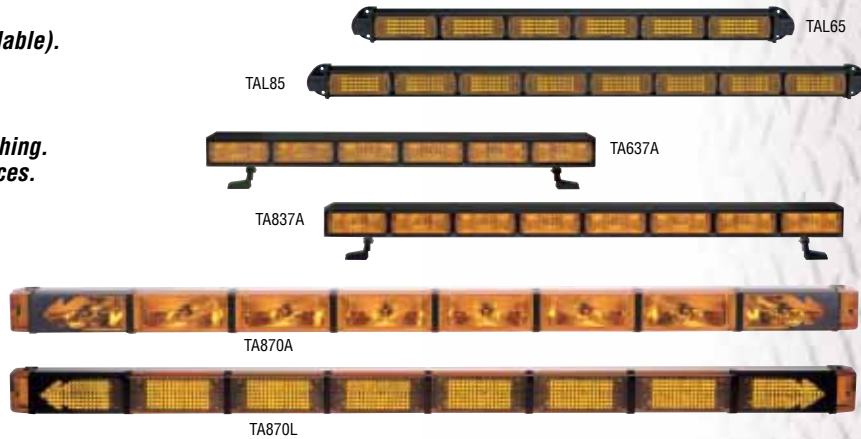


Features:

- 15' cable standard, (extra length cables available).
- Black, extruded aluminum housing.
- Halogen has 20 watt snap-in style bulbs.
- Includes control head.
- Four operating modes; left, right, split & flashing.
- Rear dip switch provides 8 flash pattern choices.
- Interior or exterior applications.
- TA870 Series models for large vehicles.

Warranty:

- LED = 5 year / Halogen = 2 year (excludes bulbs)



Available Color

Models

Model No.	Technology	No. of Modules	Mount	Control Head	VDC	Housing	Encapsulated	Size H x W	Length
TAL65	500 Series 5mm LED	6	surface thru-bolt or integral fasteners on back	TACTLD1	12	low profile flat style one piece	yes	2-7/8" (73mm) H x 2-1/4" (57mm) D	36" (91cm)
TAL85		8					yes		46-7/8" (119cm)
TA637A	500 Series halogen	6	swivel foot	TACTRL1A		rectangular one piece	-	2-1/2" (64mm) H x 4-7/16" (113mm) D	33" (84cm)
TA837A		8							44" (112cm)
TA870A	700 Series halogen	8	slide bolt	TACTLD1		large rectangular one piece	yes	3-3/4" (95mm) H x 3-1/2" (89mm) D	6' (183cm)
TA870L	700 Series 5mm LED								(7' (213cm) or 8' (244cm) available)

Options

Model No.	Description
TACTLD1	control head for 6 & 8 lamp LED Traffic Advisor, includes remote flash control and end lamp enable /disable feature
TACTRL1A	control head for 6 & 8 Halogen Traffic Advisor with remote flash control & end lamp enable/disable feature
DELTAC1A	delete TACTALD1 from 6-8 lamp LED Traffic Advisor
DELTAC1A	delete TACTRL1A from 6-8 lamp Halogen Traffic Advisor

Halogen Substitute Cables

Model No.	Description
STAPVC30	30' PVC cable for TA637A & TA837A
STAPVC35	35' PVC cable for TA637A & TA837A
STAPVC40	40' PVC cable for TA637A & TA837A
STAPVC50	50' PVC cable for TA637A & TA837A

Halogen Extension Cables

Model No.	Description
TAPVC15	15' cable for TA637A & TA837A
TAPVC25	25' cable for TA637A & TA837A
TAPVC35	35' cable for TA637A & TA837A
TAPVC50	50' cable for TA637A & TA837A
TATPR20	20' cable for TA870A & TA870L



TACTLD1
TACTRL1A



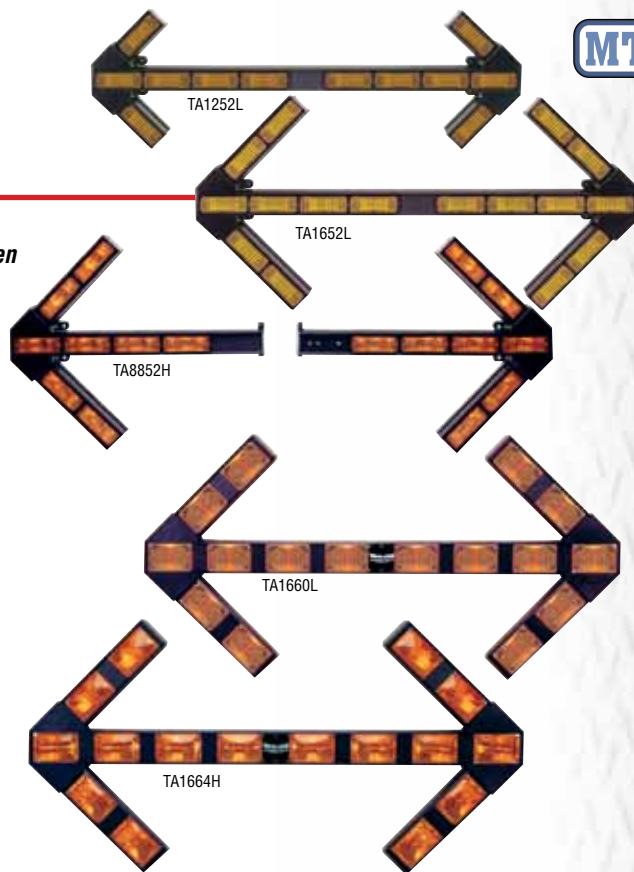
Traffic Advisors™ LED & Halogen, Arrow Style

Features:

- Sixteen lamp versions meet MUTC2009 specifications when mounted on appropriate backboard.
- Two piece models have 10' interconnect cable.
- LEDs rated for 100,000 hours of operation.
- Four operating modes; left, right, split & flashing. Rear dip switch provides 8 flash pattern choices.
- Hi/Low intensity control.
- Heavy-duty extruded aluminum housing with Black finish.
- Custom cable lengths, contact factory.

Warranty:

- LED = 5 year
- Halogen = 2 year (excludes bulbs)



Available Color

Models

Model No.	Technology	No. of Lamps	Lamp Size	Power Cable	Mount	Control Head	VDC	Housing	Encapsulated	Size
TA1252L	500 Series 5mm LED	12	5" x 2"	25'	surface mount/ slide bolt	TACTRL3A	12	one piece	yes	16" (406mm) H x 5-1/4" (133mm) D x 48" (122cm) L
TA1652L		16								23-1/4" (590mm) H x 5-1/4" (133mm) D x 48" (122cm) L
TA8852H	500 Series halogen	16	6" x 4"	40'		TACTRL2A		large one piece	yes	23" (584mm) H x 5-1/4" (133mm) D x 27-3/4" (704mm) L (each piece)
TA1660L!	600 Series 5mm LED	16				TACTRL3A				
TA1664H!	600 Series halogen	16	6" x 4"	26'	TACTRL3A	-	-	-	-	

! Indicate length desired. 5 foot, 6 foot, 7 foot or 8 foot.

Options

Model No.	Description
TACTRL3A	control head only for 16 lamp halogen/LED Traffic Advisor. non diagnostic, meets Federal standards



TACTRL3A

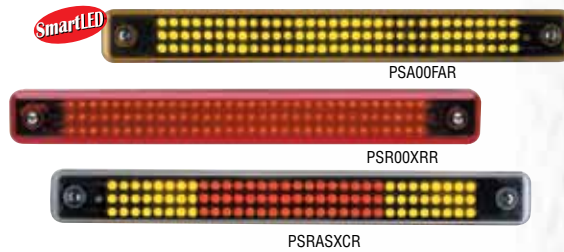
Strip-Lite™ Lightheads

Features:

- Warning light meets SAE Class 2 requirements.
- SmartLED® design requires no external flasher.
- Encapsulated for moisture and vibration resistance.

Warranty:

- LED = 5 year



Available Colors

Models * Replace with color desired: A=Amber, C=White

Model No.	Technology	Mounting	Amps		VDC	Patterns	Base	Cable	Size
PS*00F*R	5mm LED warning	surface with 2 screws	700mA/max	350mA/avg	12	14 Scan-Lock™	poly-carbonate	6" pigtail	1" (25mm) H x 1-3/8" (35mm) D x 11-1/2" (292mm) L
PSR00XRR	5mm brake/tail/turn		50mA/low	500mA/high		SignalAlert™ & steady			
PSRASXCR	5mm brake/tail with Amber turn		50mA/low	500mA/high					

Options

Model No.	Description
PSBKT451	45° stainless steel mounting bracket for one lighthead
PSBKT1	guard for use with or without single angle bracket



Micro Super-LED® Lightheads

Features:

- Certified as a system component to SAE & California Title XIII specifications.
- Lightheads are designed to be used in pairs.
- Heavy-duty extruded aluminum frame with color outer lens.
- Optional cable lengths available, contact factory.
- Lightheads provided with bolt mount.
- Includes built-in flasher.

Warranty:

- LED = 5 year



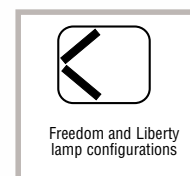
Available Colors

Models * Replace with color desired: A=Amber, C=Clear

Model No.	Series	Technology	No. of Modules	Profile	FPM	Amps	VDC	Light Output	Cable	Connectors	Size
MCFLED2*	Freedom™	Linear Super-LED®	2	high	75 SignalAlert™ per light module	3.2	12	240°	20' 7-C	AMP Mate-N-Lok®	3-4/4" (95mm) H x 10" (254mm) D x 8" (203mm) W
MCSLED2*	Liberty™			low		3			20' 7-C		2-1/2" (64mm) H x 12" (304mm) D x 9-1/2" (241mm) W

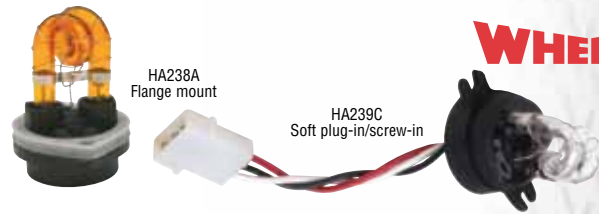
Options

Model No.	Description
W441DIN	Deutsch® waterproof connector (3 pins) installed on cable
W442DIN	Deutsch waterproof connector (3 sockets) installed on lighthead



Specialty & Surface Mount Lightheads

WHELEN



Features:

Hide-A-Way Strobes

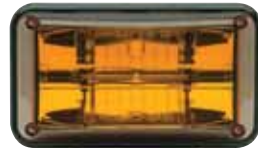
- Installs easily in a 1" hole inside vehicle's composite-style head or taillight assemblies.
- Requires remote strobe power supply.

508 & 810 Series

- Certified as a system component to SAE & California Title XIII specifications.
- Surface mount with 4 screws.
- Strobe models require remote strobe power supply.
- Halogen models require remote flasher.

Warranty:

- Strobe = 2 year / Halogen = 2 year (excludes bulbs)



508 Linear Strobe
58EC20AU



508 Dual Halogen
580CAAAR



810 Linear Strobe
81EC20AU



810 Dual Halogen
810CAAAR

Available Colors

Models

* Replace with color desired: A=Amber, C=Clear

Model No.	Model	Technology	Mounting	Amps	VDC	Lens	Cable	Connectors	Size
HA239C	Hide-A-Way Series	strobe	soft plug-in/screw-in	see power supply	12	Clear	15' 3-C shielded cable (for special cable lengths consult current price list)	AMP Mate-N-Lok®	1-5/8" (41mm) H x 1" (25mm) Dia.
HA239CD								Deutsch® waterproof	
HA238C								AMP Mate-N-Lok	
HA238CD			Deutsch waterproof						
HA238A			AMP Mate-N-Lok						
HA238AD			Deutsch waterproof						
580CAA*R	508 Series	dual halogen	surface mount	5 / high	Amber or Clear	6" pigtail	-	5" (127mm) H x 2" (51mm) D x 8-11/16" (221mm) W	
58EC20*R		strobe		see power supply			AMP Mate-N-Lok		
810CAA*R	810 Series	dual halogen	surface mount	5 / high	Amber or Clear	6" pigtail	-	8" (203mm) H x 2" (51mm) D x 10" (254mm) W	
81EC20*R		strobe		see power supply			AMP Mate-N-Lok		

Tubes only for Hide-A-Way Series (Less Cable)

Model No.	Description
S30HACP	Clear, soft plug-in, AMP Mate-N-Lok connectors
S30HACPD	Clear, soft plug-in, Deutsch waterproof connectors
S30HAC	Clear, flange mount, AMP Mate-N-Lok connectors
S30HACD	Clear, flange mount, Deutsch waterproof connectors
S30HAA	Amber, flange mount, AMP Mate-N-Lok connectors
S30HAAD	Amber, flange mount, Deutsch waterproof connectors

508 & 810 Options

Model No.	Description
508TRIM	Chrome plated trim ring for 508 Series
810TRIM	Chrome plated trim ring for 810 Series
W441DIN	Deutsch waterproof connector (3 pins) installed on cable
W442DIN	Deutsch waterproof connector (3 sockets) installed on lighthead

For Extension Cables and Connectors, see page 58

Perimeter™ Enhancement

- Downward projected ground lighting for the perimeter of your vehicle.
- Six diode Super-LED® module in a rugged polycarbonate housing, available in Chrome or Black.
- Mounts to vertical surfaces, and may be inverted.
- Molded rubber gasket protects body panels.

Warranty:

- LED = 5 year

Models



PELCC

PELCB

Available Colors

Model No.	Technology	Mounting	Amps	Lumens	Housing Color	VDC	Base	Cable	Size
PELCC	Super-LED	surface	.85	1000	Chrome	12	poly-carbonate	6" integral lead	1" (25mm) H x 1-3/8" (35mm) D x 11-1/2" (292mm) L
PELCB					Black				

Vertex™ Super-LED® Hide-A-Way

Features:

- Ultra small, self-contained, hemispheric LED light with in-line lamp driver.
- For surface mount or internal mount within composite head lamps, cornering lamps and taillight assemblies.
- 1" mounting hole and backwards compatible to HA238 and standard 1" Hide-A-Way style lamps.
- For best performance, LED color must match color of the lens, except for Clear lens.
- No RFI noise emitted.
- Split colors of Red, White and/or Amber.

Warranty:

- LED = 5 year



Available Colors

Models * Replace with color desired: A=Amber, C=White, R=Red; Replace # with split color desired: D= Red/White, F= Amber/White, K=Red/Amber

Model No.	Technology	Amps	Housing	Encapsulation	VDC	Patterns	Cable	Lamp Size
VTX609*	Super-LED	.750 peak, .300 average	polymer	yes, lamp and lamp driver	12	25 Scan-Lock™	9' sealed PVC	7/8" (22mm) H x 1-1/2" (38mm) Dia.
VTX609F	Split Super-LED							

Options

Model No.	Description
VTXFC	Chrome plated flange
VTXFB	Black flange



VTXFC



VTXFB

Flanges shown with lighthead, purchased separately.



Vertex in headlight assembly.



Multiple Vertex lighthead used for added visibility.

Vertex™ Competitor Super-LED® Hide-A-Way

Features:

- Economically priced, 6-diode with electronics built into base.
- Self-contained, hemispheric LED light for surface mount anywhere on your vehicle, or internal mounting inside of composite headlight, cornering lights and taillight assemblies.
- Omni-directional, mounts in any position.
- Simple installation via two screws in base.

Warranty:

- LED = 5 year

Models * Replace with color desired: A=Amber, C=White, R=Red

Model No.	Technology	Amps	Housing	Encapsulation	VDC	Patterns	Cable	Lamp Size
VTC6*	Super-LED	0.7 peak 0.28 average	aluminum	yes	12	25 Scan-Lock™	6" pigtail	1" (25mm) H x 1-5/8" (41mm) Dia.

Options

Model No.	Description
VTCFC	surface mount Chrome plated flange
VTCFB	surface mount Black flange



VTCFB



VTCFC



Available Colors

Directional Super-LED[®] Warning Lights

Features:

- Fully encapsulated for moisture and vibration resistance.
- Highly intense and effective surface mount light modules.
- LEDs are rated for thousands of hours of operation.
- Includes black polycarbonate mounting flange.
- Polycarbonate construction.
- The "synch" interconnect wire allows up to eight lighthoods to be synchronized together.
- Includes steady-burn, alternating and simultaneous patterns available.

TIR3™

- SAE J595 & J845 Class 1 Certified.
- Super-LED directional lighting.

LIN3™

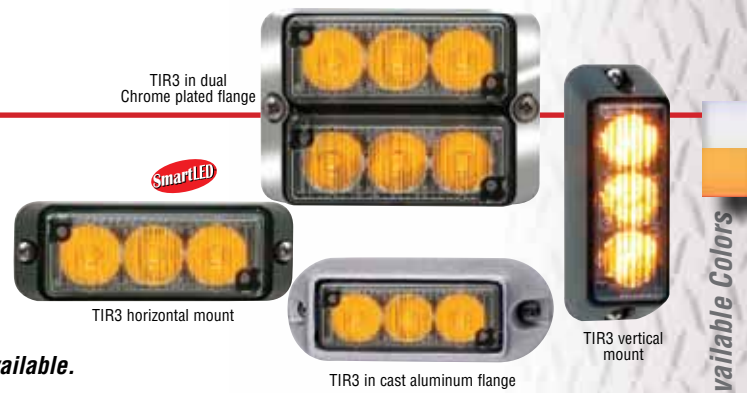
- SAE J595 & J845 Class 1 Certified.
- Linear Super-LED for more spread light output.

LINZ6™

- SAE J595 & J845 Class 1 Certified.
- Six Linear Super-LEDs for superior light output.
- Scan-Lock™ flash patterns allows for alternate or simultaneous flashing of each color segment (3 x 3).

Warranty:

- LED = 5 year



Models

* Replace with color desired: A=Amber, C=White

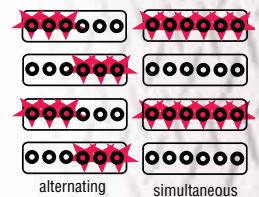
Model No.	Lamp Type	Mount	Flange	Amps	VDC	Patterns	Color Lighthouse/Lens	Size	
RSA03ZCR	TIR3	horizontal, surface	Black flange included	0.40/peak 0.16/avg	12	25 built-in Scan-Lock patterns	Amber/Clear lens	1-1/8" (28mm) H x 1-1/4" (32mm) D x 3-1/2" (89mm) L	
RSC03ZCR		vertical, surface					White/Clear lens		
RVA03ZCR							Amber/Clear lens		
RVC03ZCR		White/Clear lens							
RS*02ZCR	LIN3	horizontal, surface		0.75/peak 0.30/avg		25 Scan-Lock	Clear lens		2" (48mm) H x 1-5/8" (40mm) D x 4" (102mm) L
LINZ6A	solid LINZ6						Amber/Clear lens		
LINZ6C							White/Clear lens		
LINZ61	split LINZ6					69 Scan-Lock	Amber/Amber/Clear lens		

Options

Model No.	Model	Description
RFLANGEA	TIR3/LIN3	cast aluminum brush guard flange kit
RFLANG2C		Chrome plated flange for dual lighthoods
RFLANG2B		Black flange for dual lighthoods
RBKT1		mounting bracket for one lighthouse
RBKT2		mounting bracket for two lighthoods
RFLANGCD		deep Chrome plated flange kit
RFLANGEC		Chrome plated flange kit
RBKT4		swivel mounting bracket for one lighthouse

Model No.	Model	Description
LINZ6FC	LINZ6	deep Chrome plated flange kit
RGROMMET	TIR3/LIN3 LINZ6	grommet mount kit
RBKT11		bed rail mount bracket for F-150
RBKT12		bed rail mount bracket for F-250/350/450/550
RBKT13		bed rail mount bracket for Chevy Silverado

LINZ6 showing alternating and simultaneous flash patterns.



RGROMMET mount kit to fit TIR3, LIN3 and LINZ6 lighthoods.

2", 3" & 4" Round Lightheads

Features:

2" Round

- Includes 2-1/2" adapter, 3" and 3-1/2" flange.

3" Round

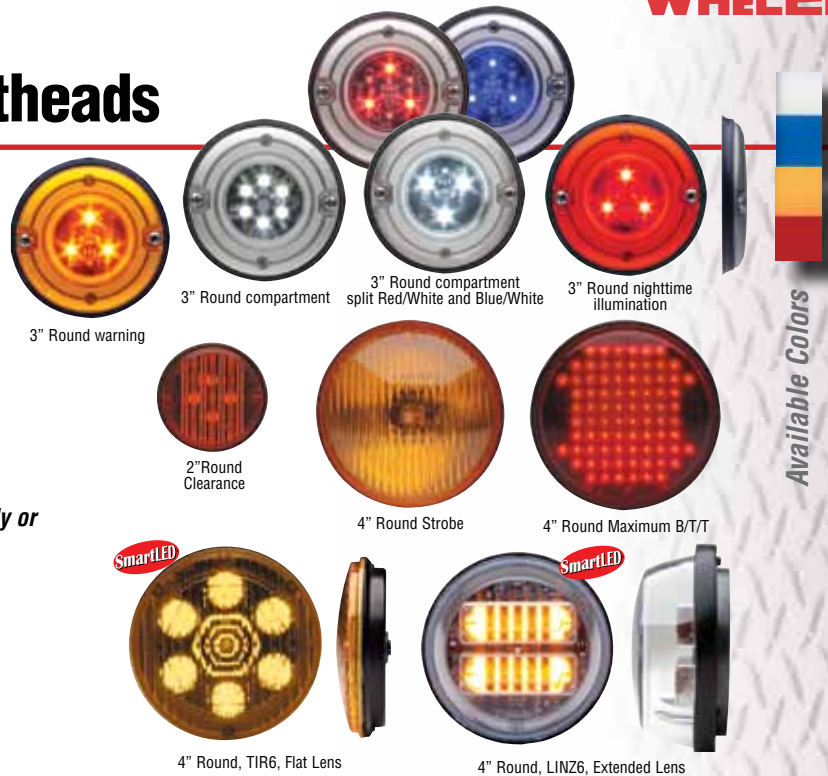
- Steady-burn and warning.
- Surface mount aluminum housing.
- Ultra thin at only 7/16" (12mm) depth.

4" Round

- Certified as system component to SAE & California Title XIII specifications.
- TIR6 includes steady-burn and the ability to alternately or simultaneously flash multiple lightheads.
- To simultaneously flash or alternate multiple LED lightheads use optional LED flasher.
- Extended lens models with two LINZ6™ modules.

Warranty:

- Strobe = 2 year / LED = 5 year



Models * Replace with color desired: A=Amber, B=Blue, C=Clear/White, R=Red

Model No.	Model	Lamp Type	Technology	Flange	Amps in mA	VDC	Patterns	Encapsulated	Colors	Cable	Size
TOA00MAR	2" Round	marker/clearance	5mm LED	includes 3 adapter mounts - requires optional grommet or trim ring	25/max	12	steady		A	6" pigtail	2" (50mm) Dia.
TOR00MRR									R		
3S*00F*R	3" Round	warning	Super-LED	surface mount	300		flashing	yes	A,R,B	6" pigtail	3" (76mm) Dia.
3SC0CDGR		compartment									
3SR0CDRR							R				
3SRCCDCR							split W/R				
3SBCCDCR							split W/B				
201000*R	4" Round	warning	strobe	requires remote power	requires remote power		power supply dependent	-	A,C	6" pigtail with connector	4-1/4" (108mm) Dia.
20R00XRR		B/T/T maximum	5mm LED	requires optional grommet or trim ring	60/low 450/high		steady	yes	R	6" pigtail	
2F*00Z*R		warning	TIR6™ Super-LED® flat lens	800/max 300/avg	5 built-in Scan-Lock		epoxy coated	A,R			
2E*00Z*R			LINZ6 Super-LED extended lens	1.5/peak 0.6 avg	25 Scan-Lock						

2" Round and 3" Round Options

Model No.	Model	Description
TGROM2	2" Round	rubber grommet kit
TFLANGEB		surface mount Black flange kit
TFLANGEC		surface mount Chrome plated flange kit
W441DIN		Deutsch® waterproof connector (3 pins) installed on cable
W442DIN		Deutsch waterproof connector (3 sockets) installed on lighthead
3FLANGEC	3" Round	surface mount Chrome plated flange kit
3GROMMET		grommet mount kit

4" Round Options

Model No.	Description
2GROMMET	rubber grommet kit
2FLANGEB	surface mount Black flange kit
2FLANGEC	surface mount Chrome plated flange kit
LEDLOAD	in-line load resistor kit to interface with OEM turn signal circuit
W441DIN	Deutsch waterproof connector (3 pins) installed on cable
W442DIN	Deutsch waterproof connector (3 sockets) installed on lighthead

OS Series Lightheads

Features:

- *Designed to meet SAE J592 (Clearance/Marker only).*
- *Smallest lighthead available by Whelen.*
- *Includes oval chrome plated flange.*
- *Clear outer lens, color LEDs.*

Warranty:

- **LED = 5 year**

Models



Model No.	Lamp Type	Technology	Diodes	Mount	Color	VDC	FPM	Amps	Cable	Encapsulated	Size
OSA00FCR	warning	LED	4	includes chrome plated flange	A	12	flashing	60mA/peak 30mA/avg	6" pigtail	yes	1" (25mm) H x 1-1/2" (48mm) W x 1/2" (13mm) D
OSCO0FCR					W						
OSR00MCR	marker/clearance				3		R				
OSA00MCR							A				
OSCOEDCR	illumination		3		W						
OACOEDCR	step light										

Available Colors

OR Series Lightheads

Features:

- *Designed for door panel mounting*
- *Single flash or steady-burn.*
- *Clear outer lens, color LEDs.*

Warranty:

- **LED = 5 year**

Models * Replace with color desired: A=Amber, C=White, R=Red



Model No.	Lamp Type	Technology	Diodes	Mount	Color	VDC	FPM	Amps	Cable	Encapsulated	Size
OR*O0FCR	warning	LED	4	recess	A	12	flashing	60mA/peak 30mA/avg	6" pigtail	yes	3/4" (19mm) H x 3/4" (19mm) W x 1/2" (13mm) D
OR*O0SCR					W						



Available Colors

2G & 5G Lightheads

Features:

- *Class 1, SAE Certified.*
- *SmartLED® design requires no external flasher (warning only).*
- *Economical and reliable.*
- *Includes vinyl grommet.*
- *Lights can be surface mounted horizontal or vertical.*

Warranty:

- **LED = 5 year**

Models



Model No.	Lamp Type	Technology	Cable	VDC	FPM	Amps in mA	Encapsulated	Size
2GA00FAR	warning	5mm	6" pigtail	12	15 Scan-Lock™ patterns	300/avg 500/peak	yes	5-1/2" (140mm) Dia. x 1-1/4" (31mm) D (with grommet)
5GA00FAR								3-3/16" (81mm) H x 7-7/16" (189mm) W x 1-1/4" (38mm) D (with grommet)

2G Options

Model No.	Description
2GFLANGC	surface mount Chrome plated flange kit
2GFLANGB	surface mount Black flange kit
2GBKT1	Black surface mount "L" bracket



2GBKT1

5G Options

Model No.	Description
5GFLANGC	surface mount Chrome plated flange kit
5GFLANGB	surface mount Black flange kit
5GBKT1	Black surface mount "L" bracket



5GBKT1

Available Color

V-23 Series Super-LED® Lightheads

Features:

- SAE 845 Class 1 Certified.
- Combination three-in-one surface mount light includes Class 1 color warning, white flood/work and ground illumination.
- 180° wide angle warning.
- Hard coated lenses with HDO™ (High Definition Optics).

Warranty:

- LED = 5 year



NEW!!
NEW!!

Model No.	Lamp Type	Colors	Mount	VDC	Patterns	Amps in mA	Cable	Housing Color	Dimensions
V23*TPB	warning worklight ground light	A,C	surface	12	18 Scan-Lock™	0.12 (warning only)	6" pigtail	Black	2-11/16" (68mm) H x 1-1/2" (38mm) D x 4-1/4" (109mm) W
V23*TPC								Chrome	

Options

NEW!!
NEW!!

Model No.	Description	Model No.	Description
V23P20B	Black angled surface mount housing	V23PEDB	Black pedestal mount kit
V23P20C	Chrome angled surface mount housing	V23PEDC	Chrome pedestal mount kit



400 Series Lightheads

Features:

- Designed to meet or exceed current and proposed SAE applicable standards.
- Strobe: back of lighthead is fully encapsulated.
- Linear Super-LED®: single level lighting, rivals strobe in intensity with 30% of amp draw.
- Duplex Linear Super-LED: dual level lighting, upper and lower levels can be controlled separately; requires remote ULF flasher; not to be used as a steady-burn light.
- NEW Brake/tail/turn with 2 flash patterns.
- Size: 3-1/16" (77mm) H x 4-15/16" (124mm) W.

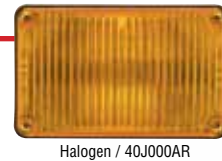
Warranty:

- LED = 5 year / Strobe = 2 year / Halogen = 2 year (excludes bulbs)

Models

* Replace with color desired: A=Amber, C=Clear/White

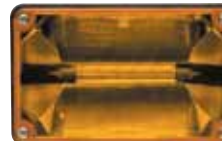
Model No.	Lamp Type	Technology	Colors	Mount	VDC	Patterns	Amps in mA	Cable	Connectors	Encapsulated
40J000*R	warning	halogen 27 w snap-in	A,C	flush mount, optional mounting required	12	requires flasher	2.5A/max	6" pigtail	AMP	-
40J000FR			split A/C			requires remote power supply				
402000*R		strobe	A,C			5	0.75/peak 0.30/avg			
40*02Z*R		linear Super-LED	A,W			see flasher	0.68A/peak 0.27A/avg			
40AA5SCR			A/A							
40CC5SCR			W/W							
40AC5SCR	duplex linear Super-LED	A/W								
40BTT	B/T/T	5mm LED	R	surface	12	2	.375A brake .04A tail	-	-	yes
40A00AAR	Amber turn		A			60/low 400/high				
40C00VCR	back-up		W			350/max				



Halogen / 40J000AR



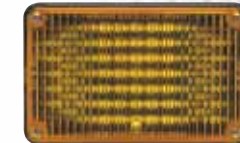
Linear-LED / 40A02ZCR



Strobe / 402000AU



Duplex Linear-LED / 40AA5SCR



LED Combination Turn-Clearance / 40A00AAR



Back-up / 40C00VCR



Brake/Tail/Turn / 40BTT

NEW!!

Available Colors

Options

Model No.	Description
W441DIN	Deutsch® waterproof connector (3 pins) installed on cable
W442DIN	Deutsch waterproof connector (3 sockets) installed on lighthead
4FLANGEB	Black flange kit (not for duplex Linear-LED®)
4EFLANGE	Chrome plated flange kit (not for duplex Linear-LED)
4TSMAB	Black flange kit, for duplex Linear-LED only

Model No.	Description
4TSMAC	Chrome plated flange kit, for duplex Linear-LED only
4EGRILB	Grille-Master™ Black housing with swivel bracket
4EGRILP	Grille-Master Chrome housing with swivel bracket
LEDLOAD	in-line load resistor kit to interface with OEM turn signal circuit

Mountings available for specific vehicles, consult current price list

500 Series Lighthead

Features:

- **Designed to meet or exceed current and proposed SAE applicable standards.**
- **Halogen: requires remote halogen flasher.**
- **Strobe: supplied with 6" pigtail and AMP Mate-N-Lok® connectors; surface mount requires Model 52SMAB and optional flange; back of lighthead is fully encapsulated.**
- **LIN6™ Super-LED®: split LED models requires Model 5LSMAB or 5LSMAC flange and are epoxy coated for vibration and moisture resistance.**
- **NEW 50AA2SA2 cab mount light with vertical Chrome flange (use one per side).**
- **NEW 50A02SA1 grommet mount rear waste truck light includes connector (for use in an lighthead array of seven).**
- **TIR6™ Super-LED: rivals strobe in intensity with 30% of amp draw; epoxy coated for vibration and moisture resistance, requires either 5TSMAB or 5TSMAC flange.**
- **5mm LED: encapsulated; to simultaneously flash or alternate multiple lighthead, use optional LED flasher.**
- **Size: 1-5/8" (41mm) H x 5" (127mm) W.**

Warranty:

- **LED = 5 year / Strobe = 2 year / Halogen = 2 year (excludes bulbs)**



Models * Replace with color desired: A=Amber, C=Clear/White

Model No.	Lamp Type	Technology	Colors	Mount	VDC	Patterns	Amps in mA	Cable	Encapsulated							
50K000*R	warning	halogen 35 w	A,C	flush mount, optional mounting required	12	requires flasher	2.75 A/max	6" pigtails	-							
50X000RR	B/T/T		R			hor./vert.	steady			575/low 2.2A/high						
502000*R	warning	strobe	A,C	flush mount, optional mounting required	12	requires remote power supply		6" pigtails	yes							
50**2ZCR			split LIN6 Super-LED			A,W	hor.			20 Scan-Lock™ plus steady-burn	900/max					
50*02Z*R		hor.														
5V*02Z*R		vert.														
50AA2SA2		LIN6 Super-LED	A,W	Chrome flange		vert.	includes sync			1A max 0.40A avg						
50A02SA1				grommet included		hor.										
50**3ZCR		split TIR6	A,W	A,W		flush mount, optional mounting required	12			20 Scan-Lock™	800/max 300/avg	6" pigtails	yes			
50*03Z*R														TIR6		
50*00F*R		clearance/ marker	5mm LED	A,W		flush mount, optional mounting required	12			14	350/max-150/avg	6" pigtails	yes			
50R00XRR										B/T/T	R			hor.	steady	50/low - 250/high
50A00MAR	clearance/ marker				5mm LED			A,W	flush mount, optional mounting required	12	14			350/max - 150/avg	6" pigtails	yes
5SR00MRR																
50*00F*R	warning				5mm LED			A,W	flush mount, optional mounting required	12	14			350/max - 150/avg	6" pigtails	yes
50R00XRR	B/T/T															
50C00WCR	back-up				5mm LED			W	flush mount, optional mounting required	12	14			350/max	6" pigtails	yes

Options

Model No.	Description
W441DIN	Deutsch® waterproof connector (3 pins) installed on cable
W442DIN	Deutsch waterproof connector (3 sockets) installed on lighthead
5FLANGEB	Black flange kit
5FLANGEC	Chrome plated flange kit
5FLANGEP	polished aluminum flange kit
5GROMMET	rubber grommet kit
52SMAB	Black surface mount adapter, strobe only, requires flange
5TSMAB	Black surface mount adapter, TIR6 Super-LED only
5TSMAC	Chrome plated surface mount adapter, TIR6 Super-LED only

Model No.	Description
5LSMAB	Black surface mount adapter, Linear-LED® only
5LSMAC	Chrome plated surface mount adapter, Linear-LED only
5BRUSH	aluminum brush guard for TIR6 only, requires flange
5HSGPED	polished aluminum housing & pedestal swivel mount kit
5HSGB1	7/8"-1" round bar mount, includes housing and flange
5HSGB125	1-1/4" round bar mount kit, includes housing and flange
5BKT1	universal mounting bracket for Super-LED
LEDLOAD	in-line load resistor kit to interface with OEM turn signal circuit

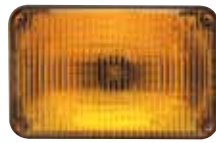
600 Series Lighthoods

Features:

- **Designed to meet or exceed current and proposed SAE applicable standards.**
- **Halogen: requires remote halogen flasher.**
- **Strobe: back of lighthood is fully encapsulated; supplied with AMP Mate-N-Lok® connectors; optional cables.**
- **Linear Super-LED®: single level lighting, rivals strobe in intensity with 30% of amp draw.**
- **Optional cable assemblies available, consult price list.**
- **Dual Linear Super-LED: side by side lighting, levels can be controlled separately.**
- **5mm LED: all models are encapsulated.**
- **NEW Brake/tail/turn with 2 flash patterns.**
- **Size: 4-1/8" (105mm) H x 6-1/2" (165mm) W.**

Warranty:

- **LED = 5 year / Strobe = 2 year / Halogen = 2 year (excludes bulbs)**



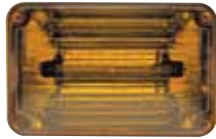
Halogen / 60F000AR



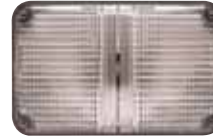
Linear-LED / 60A02FAR



LED Back-up Minimum 60C00VCR



Strobe / 602000AU



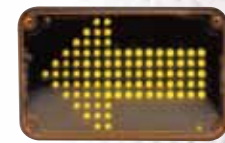
Halogen Back-up / 60J000CR



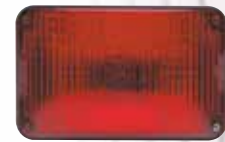
LED Back-up Maximum 60C00WCR



Halogen Turn Arrow 60X000TR



LED Turn Arrow 60A00TR



Halogen Brake/Tail/Turn 60X000RR



LED Brake/Tail/Turn, Minimum 60BTT

Available Colors

Models * Replace with color desired: A=Amber, C=Clear/White

Model No.	Lamp Type	Technology	Colors	Mount	VDC	Patterns	Amps in mA	Cable	Encapsulated		
60F000*R	warning	halogen 60 watt	A,C	flush mount, optional mounting required	12	requires flasher	5A/max	6" pigtails	-		
60F000FR			split A/C			-	575/low 2.2A/high				
60X000RR	B/T/T	halogen	R			steady	2.5A/max				
60J000CR	back-up		C			-	575/max 2.2A/high				
60X000TR	turn arrow	LED	A			requires remote power supply	power supply dependent				
602000*R	warning	strobe	A,C			14	1.5A/max 400/avg				
60*02F*R			linear Super-LED			A,C	requires flasher			1A/max	
60*02S*R						-	700/max 350/avg				
60A00TR	turn arrow	5mm LED	A			surface	2			.375A brake / .04A tail	yes
60BTT	B/T/T max		R				steady			350/max	
60C00VCR	back-up min		C	steady	600/max						
60C00WCR	back-up max										

NEW!!

NEW!!

Options

Model No.	Description
64FKIT	kit to convert 600 Series to fit in old style 64 Series hole cutouts
W441DIN	Deutsch® waterproof connector (3 pins) installed on cable
W442DIN	Deutsch waterproof connector (3 sockets) installed on lighthood
6FLANGEB	Black flange kit
6EFLANGE	Chrome plated flange kit
CAST3	polished cast aluminum housing, vertical mount, 3 lamp

Model No.	Description
CAST3H	polished cast aluminum housing, horizontal mount, 3 lamp
CAST4V	polished cast aluminum housing, vertical mount, 4 lamp
PLAST3V	Chrome plated plastic housing, vertical mount, 3 lamp
PLAST4V	Chrome-plated plastic housing, vertical mount, 4 lamp
LEDLOAD	in-line load resistor kit to interface with OEM turn signal circuit

700 Series Lightheads

Features:

- **Designed to meet or exceed current and proposed SAE applicable standards.**
- **Halogen:** requires remote halogen flasher.
- **Strobe:** back of lighthead is fully encapsulated; supplied with AMP Mate-N-Lok® connectors; optional cable lengths, consult factory.
- **Combination Strobe/LED lighthead flashes simultaneously, alternating or separately.**
- **LING™ Linear Super-LED®:** rivals strobe in intensity with 30% of amp draw. Optional cable assemblies available, consult factory.
- **5mm LED:** all models are encapsulated.
- **NEW Brake/tail/turn with 2 flash patterns.**
- **Size:** 3-1/16" (78mm) H x 7-1/4" (184mm) W.

Warranty:

- **LED = 5 year / Strobe = 2 year / Halogen = 2 year (excludes bulbs)**



Strobe / 702000AU



LED Back-up minimum 70C00VCR



Linear-LED / 70A02FAR



LED Back-up maximum 70C00WCR



Halogen Back-up / 70J000CR



Halogen Amber Turn Arrow 70X000TR



Halogen / 70F000AR



LED Turn Arrow 70A00TAR



Halogen Brake/tail/turn 70X000RR



LED Brake/tail/turn 70BTT

Models • Replace with color desired: A=Amber, C=Clear/White

Model No.	Lamp Type	Technology	Colors	Mount	VDC	Patterns	Amps in mA	Cable	Encapsulated	
70F000*R	warning	halogen 60 w	A,C	flush mount, optional mounting required	12	requires flasher	5A/max	6" pigtails	-	
70F000FR			split A/C			-	575/low 2.2A/high			
70X000RR	B/T/T	halogen	R			steady	2.5A/max			
70J000CR	back-up	LED	C			-	575/max 2.2A/high			
70X000TR	turn arrow	strobe	A			requires remote power supply	power supply dependent			
702000*R	warning	linear Super-LED	A,C			14	1.5A/max 400/avg			
70*02F*R			A,C			requires flasher	1A/max			
70*02S*R			A			1 & sync	0.45/avg 0.7A/peak			
70A00ZAR	turn arrow	5mm LED	A			surface	-			900/max 450/avg
70A00TAR			A			2	.375A brake / .04A tail			
NEW!! 70BTT			R	-	0.45/avg 0.7A/peak					
70A00AAR			A	steady	350/max					
70C00VCR	back-up min	C				500/max		yes		
70C00WCR	back-up max									

Options

Model No.	Description
W441DIN	Deutsch® waterproof connector (3 pins) installed on cable
W442DIN	Deutsch waterproof connector (3 sockets) installed on lighthead
7FLANGEB	Black flange kit
7EFLANGE	Chrome plated flange kit
7CAST3	polished cast aluminum housing, vertical mount, 3 lamp

Model No.	Description
7EGRILP	Grille-Master™ Chrome housing with swivel bracket, strobe & LED only
7EGRILB	Grille-Master Black housing with swivel bracket, strobe & LED only
73FKIT	mounting kit to convert 700 Series to fit in old style 73 Series hole cutouts
LEDLOAD	in-line load resistor kit to interface with OEM turn signal circuit

Mountings available for specific vehicles, consult current price list

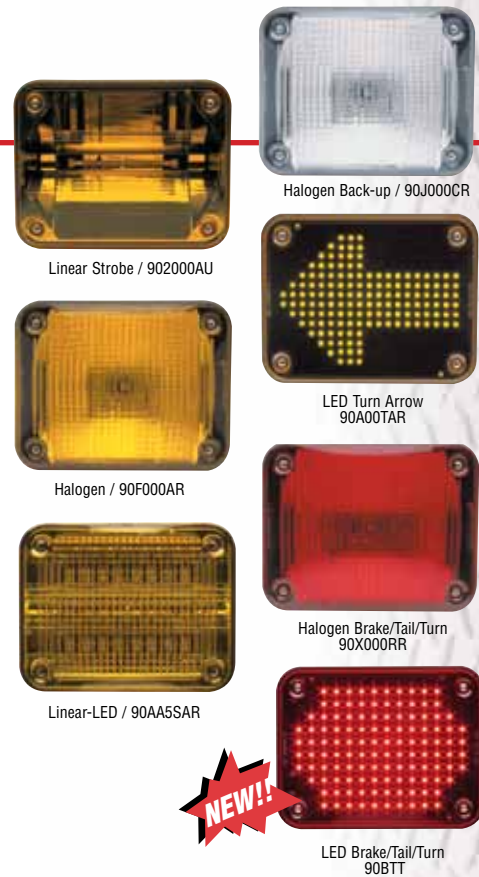
900 Series Lightheads

Features:

- **Designed to meet or exceed current and proposed SAE applicable standards.**
- **Halogen:** requires remote halogen flasher.
- **Strobe:** back of lighthouse is fully encapsulated; supplied with AMP Mate-N-Lok® connectors; optional cable lengths, consult factory.
- **Linear Super-LED®:** single level lighting, rivals strobe in intensity with 30% of amp draw. Model with internal flasher includes flash patterns, steady-burn and Hi/Low power. Optional cable assemblies available, consult price list.
- **Dual Linear Super-LED®:** upper and lower levels can be controlled separately; rivals strobe in intensity with 30% of amp draw.
- **5mm LED:** all models are encapsulated.
- **NEW Brake/tail/turn with 2 flash patterns.**
- **Size:** 7-1/8" (181mm) H x 9-1/8" (232mm) W.

Warranty:

- **LED = 5 year / Strobe = 2 year / Halogen = 2 year** (excludes bulbs)



Models * Replace with color desired: A=Amber, C=Clear/White

Model No.	Lamp Type	Technology	Colors	Mount	VDC	Patterns	Amps in mA	Cable	Encapsulated
90F000*R	warning	halogen 60 w snap-in	A,C	flush mount, optional mounting required	12	requires flasher	5A/max	6" pigtail	-
90X000RR	B/T/T		R			-	575/low 2.2A/high		
90J000CR	back-up	27w halogen	C			steady	2.5A/max		
902000*R	warning	linear strobe	A,C			requires remote power supply	power supply dependent		
90*05F*R		Linear Super-LED	A,C	14		3A/max 800/avg			
90**5S*R			requires flasher	2A/max					
90A00TAR	turn arrow	LED	A	surface		-	1.25A/max 1A/avg		yes
90BTT	B/T/T		R		steady	.375A brake/ .04A tail			

Options

Model No.	Description
97FKIT	kit to convert 900 Series to fit in old style 97 Series hole cutouts
W441DIN	Deutsch® waterproof connector (3 pins) installed on cable
W442DIN	Deutsch waterproof connector (3 sockets) installed on lighthouse
9FLANGEB	Black flange kit, not for use with Super-LED

Model No.	Description
9EFLANGE	Chrome plated flange kit, not for use with Super-LED
90FLANGB	Black flange for Linear-LED only
90FLANGC	Chrome plated flange for Linear-LED only
LEDLOAD	in-line load resistor kit to interface with OEM turn signal circuit

M Series Super-LED® Lightheads

Features:

- **SAE Class 1 Certified (warning).**
- **Patented surface mount Linear-LED® with unique shape.**
- **Lens and reflector are sealed assembly.**
- **Replaceable light engine is accessed from rear of lens/reflector assembly.**
- **Fast and easy installation with only 2 screws.**
- **Hard coated lenses resists scratches, chemical and UV damage.**
- **Warning lights have Hi/Low feature.**

Warranty:

- **LED = 5 year**



Models * Replace with color desired: A=Amber, C =White

Model No.	Lamp Type	Lens	C Amber olor	Mount	VDC	Patterns	Amps	Encap- sulated	Size									
M2A	warning	Amber	A	surface mount via 2 screws	12	25 Scan-Lock including steady	1 / peak .45 / avg	yes	2-1/2" (64mm) H x 4" (102mm) W x 1" (25mm) D									
M2*C		Clear	A, C															
M2WA	wide-angle warning	Amber	A															
M2W*C		Clear	A, C															
M4A	warning	Amber	A			optional flanges and pedestal mounts available	12		129 Scan-Lock™	1.5 / peak 0.6 / avg	yes	3-3/8" (86mm) H x 5-1/2" (138mm) W x 1-3/8" (35mm) D						
M4*C		Clear	A, C															
M6A	warning	Amber	A						optional flanges and pedestal mounts available	12		164 Scan-Lock	2.25 / peak 0.9 / avg	yes	4-5/16" (109mm) H x 6-3/4" (170mm) W x 1-3/8" (35mm) D			
M6*C		Clear	A, C															
M6BUW	back-up	Clear	C									optional flanges and pedestal mounts available	12		-	1.8	yes	4-5/16" (109mm) H x 6-3/4" (170mm) W x 1-3/8" (35mm) D
M6BTT	brake/tail/turn	Red	R												2	.85 high/.06 low		
M6T	turn	Amber	A												8	.75		
M7A	warning	Amber	A												optional flanges and pedestal mounts available	12		164 Scan-Lock
M7*C		Clear	A, C	3 / peak 1.2 / avg														
M9A		Amber	A		-			1.8										
M9*C		Clear	A, C															
M9BUW	back-up	Clear	C	optional flanges and pedestal mounts available	12			-										1.8
M9BTTX	brake/tail/turn	Red	R			2	.75 high/.055 low											
M9T	turn	Amber	A			8	1.2											

Options

Model No.	Model	Description
M2FC	M2	Chrome plated flange
M2FB		Black flange
M2PEDB		Black pedestal mount
M2PEDC		Chrome plated pedestal mount
M2GROM		grommet mount
M4FC	M4	Chrome plated flange
M4FB		Black flange
M4FC400		Chrome flange adapts M4 to 400 Series mounting
M4BRUSH		Brush guard, black
M6FC	M6	Chrome plated flange
M6FB		Black flange
M6P15C		Chrome plated 15° angled surface mount housing
M6P15B		Black 15° angled surface mount housing
M6FC600		Chrome flange adapts M6 to 600 Series mounting
M6BRUSH		brush guard, Black

Model No.	Model	Description
M6FCV2	M6	Chrome vertical flange for 2 lightheads
M6FCV3		Chrome vertical flange for 3 lightheads
M6FCV4		Chrome vertical flange for 4 lightheads
M7FC	M7	Chrome plated flange
M7FB		Black flange
M7FC700		Chrome flange adapts M7 to 700 Series mounting
M7BRUSH		brush guard, Black
M9FC	M9	Chrome plated flange
M9FB		Black flange
M9FC900		Chrome flange adapts M9 to 900 Series mounting
M9FCZ900		Chrome flange adapts M9 Scenelight to 900 Series mounting
M9BRUSH		brush guard, Black

Mountings available for specific vehicles, consult current price list

Scenelights

Features:

- **Nine sizes to choose from.**
- **Wide variety of intensities.**
- **900 and 600 Series are surface mount.**
- **Contact factory for 24 VDC availability.**
- **M Series surface mount Scenelights feature inner optics that direct light downward without angle brackets.**
- **For optional flange or other mounting options, please see applicable lighthouse series pages.**

Warranty:

- **LED = 5 year**
- **Halogen = 2 year** (excludes bulbs)



Models

Model No.	Lamp Type	Technology	Degree	Diodes	Mount	VDC	Amps	Cable	Encap-ulated	Size	
60K000XR	600 Series	35 w snap-in halogen	26°	-	requires optional mounting	12	2.75A/max	6" integral leads	-	4-1/8" (105mm) H x 6-1/2" (165mm) W	
60K000YR			13°								
70K000ZR	700 Series		8-32°				3-1/16" (78mm) H x 7-1/4" (184mm) W				
90E000ZR	900 Series	7-1/8" (181mm) H x 9-1/8" (232mm) W									
50C000ZR	500 Series	5mm LED	gradient	44	300mA/max	12	6" integral leads	yes	1-5/8" (41mm) H x 5" (127mm) W		
70C0ELZR	700 Series	12		2.0/max	3-1/16" (78mm) H x 7-1/4" (184mm) W						
6SC0ENZR	600 Series	12		2.0/max	4-1/8" (105mm) H x 6-1/2" (165mm) W						
9SC0ENZR	900 Series	24		4.0/max	7-1/8" (181mm) H x 9-1/8" (232mm) W						
M9LZC	M9	Super-LED®	-	-	-	-	-	-	6-1/2" (165mm) H x 10-3/8" (263mm) W		
M7ZC	M7								18	2.25/max	3-3/8" (86mm) H x 7-5/8" (194mm) W
M6ZC	M6								12	2.0/max	4-5/16" (109mm) H x 6-3/4" (170mm) W
810CA0ZR	810 Series								27 w halogen	8-32°	-
580CAAZR	508 Series	5" (127mm) H x 8-11/16" (221mm) W									

Compartment & Interior Lighting

Features:

- **Model 8635CU has dual light intensity in one model.**
- **CL25 Series is 2 wire design.**
- **LED models are rated for 100,000 hours of rugged reliable use.**
- **OS Series is small enough to fit virtually anywhere in the vehicle.**
- **5G Lights can be surface mounted without cutting holes.**
- **8" round Super-LED® Series in two installation variations; with or without mounting hardware.**
- **6" Round with 6 diodes has built-in On/Off switch**

Warranty:

- **LED = 5 year**
- **Halogen = 2 year (excludes bulbs)**



Models

Model No.	Model Series	Lamp Type	Technology	Mount	Color	VDC	Amps	Cable	Encapsulated	Size
8635CU	8635 rectangle	dual intensity interior dome	14 & 35 w snap in halogen	one piece reflector and flange	White	12	3.0A/high 1.0A/low	6" integral leads	-	8-3/16" (208mm) H x 6-7/16" (164mm) W x 2-3/4" (70mm) D
86CE1	86CE rectangle	interior dome	Super-LED				2.0A/high .20A/low			6-1/2" (165mm) H x 8-1/4" (207mm) W x 1-1/4" (32mm) D
CL25C	CL25 round	interior dome	25 w bayonet style halogen	surface			2A/high			5-7/8" (149mm) Dia. X 1-7/8" (48mm) D
OAC0EDCR	OS	step light	5mm LED	surface			60mA/avg		1" (25mm) H x 1-1/2" (48mm) W x 1/2" (13mm) D	
OSC0EDCR							50mA/max		2" (48mm) Dia.	
TOCACCRR							2" round		3-3/16" (81mm) H x 7-7/16" (189mm) W with grommet	
5GC0CCCR	5G 3 diode	interior or compartment	Super-LED	surface			525mA/max		3-1/16" (77mm) H x 4-15/16" (124mm) W	
40C00VCR	400		5mm LED	0.22A/max			4-1/8" (105mm) H x 6-1/2" (165mm) W			
60J000CU	600		350mA/max	3-1/16" (78mm) H x 7-1/4" (184mm) W						
70J000CU	700		0.16A	1-3/8" (35mm) H x 11-1/2" (292mm) W						
PSC0ADCR	Strip-Lite 6 diode		surface	0.48A			3" (76mm) Dia.			
PSC0CDCR	Strip-Lite 18 diode	Super-LED	interior dome	surface			0.36A		5/8" (16mm) H x 6" (154mm) Dia.	
3SC0CDCR	3" round				1.2A/high 0.13/low	8-1/2" (218mm) Dia. (includes flange)				
60C0EHCR	6" round, 18 diode				Chrome flange					
60C0EJCS	6" round, 6 diode					Chrome housing				
80C0EHCR	8" round, 18 diode						White housing			
80C00EZR	8" round, 18 diode requires no mounting hardware									
8WC00EZR	8" round, 18 diode requires no mounting hardware									

For optional flange or other mounting options, please see applicable lighthouse series pages.

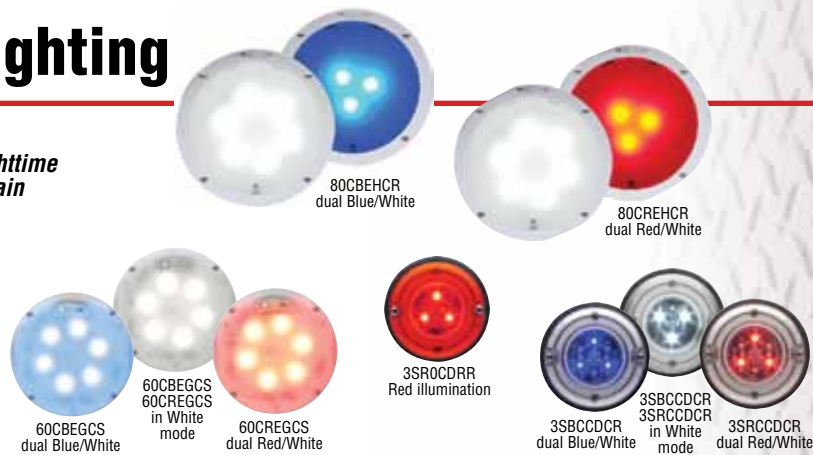
Color LED Interior Lighting

Features:

- **Super-LED® color lighting in Red and Blue for nighttime illumination reduces nighttime blindness, eye strain and eye fatigue.**
- **Models available with dual colors in same unit.**
- **8" Round models have high/low intensity capability.**

Warranty:

- **LED = 5 year**



Available Colors

Models

Model No.	Model Series	Lamp Type	Technology	Mount	Diodes	Color	VDC	Amps	Cable	Encapsulated	Size
3SR0CDRR	3" Round	interior dome or compartment	LED	surface	3	Red	12	300mA	6" integral lead	yes	3" (76mm) Dia. (includes flange)
3SRCCDCR					6	dual R/W					
3SBCCDCR					6	dual B/W					
60CREGCS	6" Round	interior dome	Super-LED	one piece reflector and flange	12	dual R/W	12	0.7 A (White) 0.05 A (color)	6" integral lead	yes	6" (153mm) Dia.
60CBEGCS					12	dual B/W					
80CREHCR	8" Round	interior dome	Super-LED	one piece reflector and flange	6 White 3 color	dual R/W	12	1.0 A- (Hi) 0.05 (Low)	6" integral lead	yes	8-1/2" (218mm) Dia.
80CBEHCR					9 total	dual B/W					

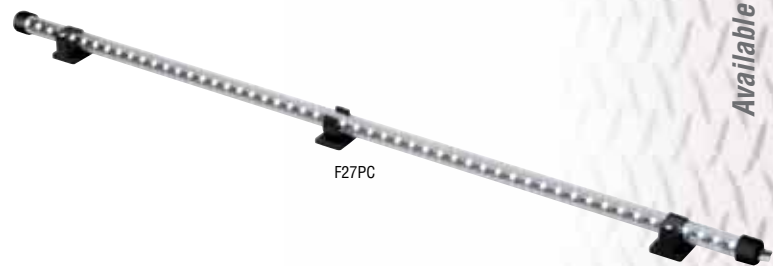
Fluorent Plus™ Super-LED® Interior Lighting

Features:

- **Super-LED 120° illumination and compartment tube lighting.**
- **Fluorent Plus utilizes two diodes per inch.**
- **Light tube can be rotated to direct light where needed using "C" clip mounting.**
- **Includes both "C" clips for snap-in mounting and "P" clips for secure mounting.**
- **Silicone rubber end caps for a superior sealed fit around tubes and wires.**
- **Custom lengths available.**
- **Dimensions: 5/8" (16mm) H x desired length. See chart.**

Warranty:

- **LED = 5 year**



Available Colors

Models

Model No.	Length	Amp Draw	Lumens	Candela
F09PC	9" (23cm)	120 ma	90	24
F18PC	18" (46cm)	180 ma	120	32
F27PC	27" (69cm)	392 ma	270	72
F36PC	36" (91cm)	512 ma	360	96
F45PC	45" (114cm)	600 ma	450	120
F54PC	54" (137cm)	720 ma	540	144
F63PC	63" (160cm)	920 ma	690	184



"C" clip for snap-in mounting



"P" clip for secure mounting

PAR-36/46 Super-LED® Work Lights

Features:

- Choose floodlight or spotlight models.
- Black heavy-duty cast aluminum housing.
- Ultra bright Super-LED with low current draw.
- Stainless steel bracket and hardware included.
- Two intensities available.
- For 24 VDC models, contact factory.

Warranty:

- LED = 5 year



Floodlight Models

Model No.	Diodes	Amps	Lumens	Mount	Switch	Handle	Rear Cover
PFBP12	12	1.7	1000	pedestal swivel	built-in on/off switch	yes	Black
PFBP12C							Chrome
PFBP6	6	.85	500	pedestal swivel	-	-	Black
PFBP6C							Chrome
PFBS12	12	1.7	1000	stud/swivel	-	-	Black
PFBS12C							Chrome
PFBS6	6	.85	500	stud/swivel	-	-	Black
PFBS6C							Chrome
PFBS6S	6	.85	500	stud/swivel	built-in on/off switch	-	Black
PFBS12S							12

Spotlight Models

Model No.	Diodes	Amps	Lumens	Mount	Switch	T-Handle	Rear Cover
PSBP12	12	1.7	1000	pedestal swivel	built-in on/off switch	yes	Black
PSBP12C							Chrome
PSBP6	6	.85	500	pedestal swivel	-	-	Black
PSBP6C							Chrome
PSBS12	12	1.7	1000	stud/swivel	-	-	Black
PSBS12C							Chrome
PSBS6	6	.85	500	stud/swivel	-	-	Black
PSBS6C							Chrome
PSBS6S	6	.85	500	stud/swivel	built-in on/off switch	-	Black
PSBS12S							12

Hand Held Spot/Floodlights

Features:

- Hand-held work light.
- 90# pull magnet mount with 8' coiled cord and cigar plug.
- Waterproof durable built-in push-button On/Off switch.

Model No.	Lighting	Diodes	VDC	Amps	Lumens	Mount
P36HHS	spot/flood	6	12/24	0.85 @ 12 VDC 0.425 @ 24 VDC	500	hand-held includes magnet
P46HHS	floodlight	18	12	2.3	1800	



Rubber Housing Spot/Floodlights

Features:

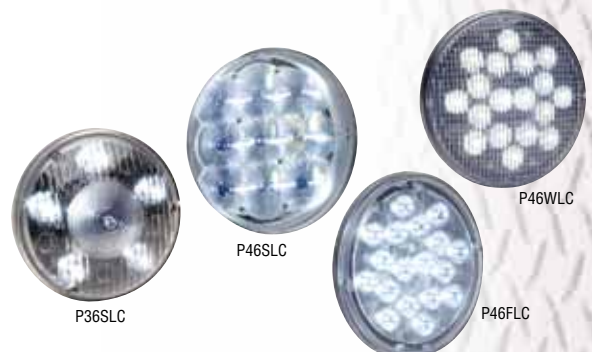
- Rubber stud/swivel housing.
- Available with or without lighthouse.

Model No.	Lighting	Diodes	VDC	Amps	Lumens	Mount
P36SLCHG	spot/flood	6	12/24	0.85 @ 12 VDC 0.425 @ 24 VDC	500	stud/swivel
P46SLCHG	spotlight	9	12	2.3	1800	



Replacement Lamps

Model No.	Model	Lighting	Diodes	VDC	Amps	Lumens
P36SLC	PAR-36	spot/flood	6	12/24	0.85 @ 12 VDC 0.425 @ 24 VDC	500
P46SLC	PAR-46	2° spotlight	9	12	1.9	1600
P46FLC		8° spotlight	18			
P46WLC		20° high x 60° wide floodlight				



Micro Pioneer™ Super-LED® Work Lights



MPBB



MPBW



MPPBCS



MPR15W



MPRW

Available Colors

Features:

- Rugged, die-cast aluminum powder coated housing in Black or White.
- Rated to last thousands of hours with remarkable bright light.
- 8° spotlight pattern, comes standard. Includes three additional optic lenses for a light pattern choice of:
 - 90° x 20° wide flood
 - 40° x 20° flood
 - 40° x 8° horizontal flood
- Optic lens changes easily via four screws in picture frame fixture.
- Four mountings available:
 - Powder coated stainless steel bail bracket with 3/8" stud carriage bolt mount.
 - Two recessed mounts available with Chrome flange for straight out or 15° downward angle.
 - Heavy-duty pedestal/swivel available with Chrome or Black back cover and On/Off switch.
- Models available in 24 volts, contact factory.

Warranty:

- Five-year HDP® Heavy-Duty Professional warranty.

Models

Model #	Housing	Housing Color	Switch	Volts	Amps	Watts	Cable	Lumens	Size with mounting					
MPBW	bail/stud	White	-	12	3.6A	45	6 foot	3800	4-5/8" (118mm) H x 4-3/4" (121mm) W x 3-1/8" (80mm) D					
MPBB		Black												
MPRW	recessed Chrome straight flange	White												
MPRB		Black												
MPR15W	recessed Chrome 15° downward angled flange	White							includes On/Off switch	-	-	-	-	6-1/8" (155mm) H x 6-11/16 (170mm) W x 2-7/8" (72mm) D
MPR15B		Black												
MPPW	pedestal/swivel	White												
MPPB		Black												
MPPWCS		White with Chrome back cover												
MPPBCS		Black with Chrome back over												
MPPBBS		Black with Black back cover												
									8-5/8" (220mm) H x 5-1/8" (129mm) W x 3-3/4" (94mm) D					

Pioneer Nano™ Super-LED® Work Lights



MPPBCS



MPRW

Available Colors

Features:

- Available in 3 or 6 diode models.
- Rugged, die-cast aluminum powder coated housing in Black or White.
- Rated to last thousands of hours with remarkable bright light.
- 8° spotlight pattern, comes standard. Includes additional optic lens for a light pattern choice of 40° x 20° flood.
- Optic lens changes easily via four screws in picture frame fixture.
- Powder coated stainless steel bail bracket with 3/8" stud carriage bolt mount.

Warranty:

- Five-year HDP® Heavy-Duty Professional warranty.

Model #	Diodes	Housing	Housing Color	Volts	Amps	Watts	Cable	Lumens	Size with mounting	
NP3BW	3	bail/stud with 3/8" carriage bolt	White	12	1	12.8	6 foot	1100	2-1/4" (57mm) H x 3.5" (89mm) W x 1-3/4" (44mm) D	
NP3BB			Black							
NP6BW	6		White		1.5	19.6				1800
NP6BB			Black							



Pioneer SlimLine™ Series Super-LED® Work Lights



Features:

- Rugged, die-cast aluminum powder coated housing.
- Rated to last thousands of hours with remarkable bright light.
- Single lamp models include 8° spotlight lens supplied on lighthead and one additional lens supplied for light dispersion of 40°x 20° flood.
- Dual lamp models include 8° spotlight lens supplied on lighthead, and two additional lenses are supplied for light dispersion of 40°x 20° flood and 8°spot/40°x 20° flood.
- Available in 24 Volt models, contact factory.
- Recessed mount models available in straight and 15° downward angle with chrome trim flange. Available in 12 and 24 volt and White or Black housing. Contact factory.
- Bail bracket works for horizontal and vertical mounting positions.

Warranty:

- Five-year HDP® Heavy-Duty Professional warranty.



PSL1B



PSL2BB



PSL1P



PSL2P



PSL1R



PSL2R

Available Colors

Models

Model #	Housing	Lamp	Housing Color	Volts	Amps	Watts	Cable	Lumens	Size including mounting
PSL1B	Bail/Stud	single	White	12	3	35	20'	3600	3-1/4" (82mm) H x 2-1/8" (55mm) D x 6-7/8" (175mm) W
PSL1BB			Black						
PSL2B		dual	White		6.1	78.3		7300	3-1/4" (82mm) H x 2-1/8" (55mm) D x 12-1/2" (317mm) W
PSL2BB			Black						
PSL1R	Recessed Chrome straight flange	single	White		3	35		3600	6-3/8" (160mm) H x 2" (51mm) D x 9-7/8" (251mm) W
PSL1RB			Black						
PSL2R		dual	White		6.1	78.3		7300	6-5/8" (168mm) H x 2-5/8" (65mm) D x 15-1/2" (394mm) W
PSL2RB			Black						
PSL1R5	Recessed Chrome 15° downward angled flange	single	White		3	35		3600	6-3/8" (160mm) H x 2" (51mm) D x 9-7/8" (251mm) W
PSL1R5B			Black						
PSL2R5		dual	White		6.1	78.3		7300	6-5/8" (168mm) H x 2-5/8" (65mm) D x 15-1/2" (394mm) W
PSL2R5B			Black						
PSL1P	Low profile pedestal/swivel	single	White	3	35	3600	5-5/8" (143mm) H x 1-7/8" (48mm) D x 6-7/8" (175mm) W		
PSL1PB			Black						
PSL2P		dual	White	6.1	78.3	7300	5-5/8" (143mm) H x 1-7/8" (48mm) D x 12-1/2" (317mm) W		
PSL2PB			Black						



Pioneer™ Series Super-LED® Work Lights



Available Color

Features:

- Replaces similar HID floodlights.
- Surface mount Super-LED floodlight in ten intensities.
- Low amp draw.
- Spotlights are available in single lamp 2° and 8° models and a dual lamp Floodlight/8° Spotlight combination.
- Available in 12, 24 VDC and UL® approved 120 volt AC.
- For 24 volt models, contact factory.
- Instant On/Off, no ramp up time to achieve full intensity.
- Rugged powder coated cast aluminum housing.
- Bail bracket mounts are adjustable up to 25°, semi-recessed mount is 0° or 15° for maximum light effectiveness.
- No ultraviolet light that attracts insects during night operation.
- Pole mount models available, contact factory.
- Pioneer Plus™ offers twice the brightness in the same size housing as the regular Pioneer.

Warranty:

- Five-year HDP® Heavy-Duty Professional warranty.



Lighthouse Models

Model	Series	Lamp Type	Housing Color	Volts	Amps	Watts	Lumens	Size
PFA1	Pioneer floodlight	single	White	12.8	3.1	39.7	3,700	Single Lighthouse: 4-1/8" (105mm) H x 2-1/2" (64mm) D x 8-1/8" (206mm) W Dual Lighthouse: 4-1/8" (105mm) H x 2-1/2" (64mm) D x 14" (356mm) W
PFA2		dual			6.1	78.8	7,400	
PFA1B		single	Black		3.1	39.7	3,700	
PFA2B		dual			6.1	78.1	7,400	
PFP1	Pioneer Plus™ floodlight	single	White		6.5	73.2	8,100	
PFP2		dual			13	166.4	16,000	
PFP1B		single	Black		6.5	83.2	8,100	
PFP2B		dual			13	166.4	16,000	
PTP1	Pioneer Plus spotlight	single 2°	White		6.5	83.2	8,000	
PSP1		single 8°			6.5	75	8,000	
PCP2	Pioneer Plus spotlight/floodlight	dual combination floodlight & 8° spotlight			12	75/75	8,000/8,000 16,000 total	
PCP3	Pioneer Max™ spotlight/floodlight	combination dual floodlight & dual 8° spotlight			White	16.5	225	
PCP3B				Black				
120 VOLT AC UL® CERTIFIED MODELS								
PFP1AC	Pioneer Plus floodlight	single	White	120 AC	.6	75	7,500	Single Lighthouse: 4-1/8" (105mm) H x 2-1/2" (64mm) D x 8-1/8" (206mm) W Dual Lighthouse: 4-1/8" (105mm) H x 2-1/2" (64mm) D x 14" (356mm) W
PFP2AC		dual			1.2	150	15,000	
PSP1AC	Pioneer Plus 8° spotlight	single			.6	75	7,500	
PCP2AFS	Pioneer Plus spotlight/floodlight	dual flood - Left spot - right			1.2	150	15,000	
PCP2ASF		dual flood - right spot - left						
PCP3A	Pioneer Max spotlight/floodlight	combination dual floodlight & dual 8° spotlight			Black	1.5	180	
PCP3AB								



Pioneer™ Series Mounting Options

PBAPEDA/ PBAPEDD

Pedestal
mount
adapter



PBA103/PBA203

Semi recessed mount
with Chrome trim ring



PBA106U/PBA206U

Universal bail bracket



PFP1LP

Low profile pedestal/swivel mount



Mounting Options (Lightheads Purchased Separately)

Model #	Series	Lamp	Description	Size
PBAPEDA		single & dual	pedestal mount adapter for AC models, includes 20' of 3-C cable	4-1/2" (115mm) H x 3-1/8" (79mm) D x 3-1/8" (79mm) W
PBAPEDD			pedestal mount adapter for DC models, includes 20' of 4-C cable	
PBA103	mounting options only for Pioneer and Pioneer Plus™ lightheads	single	semi-recessed mount with Chrome trim ring, housing mounts the floodlights straight out or at 15° downward angle.	7-5/8" (194mm) H x 3-3/4" (82mm) D x 11-7/8" 208mm) W
PBA203		dual		7-15/16" (201mm) H x 3-3/4" (82mm) D x 17-3/16" (436mm) W
PBA106U		single	universal bail bracket tilts up/down, adjustable to 25° upward or downward angle.	4-5/8" (118mm) H x 3-3/16" (80mm) D x 8-3/16" 208mm) W
PBA206U		dual		4-5/8" (118mm) H x 3-3/16" (80mm) D x 14" 357mm) W

Pedestal/Swivel Mounting (Lighthead Included with Mounting)

Model #	Series	Lamp	Lamp Type	Voltage	Housing	Size
PFA1LP	Pioneer		floodlight	12 VDC	White	7" (158mm) H x 3-1/8" (80mm) D x 8-3/16" 208mm) W
PFA1LPB					Black	
PFP1LP	Pioneer Plus	single	8° spotlight	12 VDC	White	
PFP1PB					Black	
PSP1LP			2° spotlight		White	
PSP1LPB					Black	
PTP1LP			8° spotlight		White	
PTP1LPB					Black	
PSP1ALP	120 VAC	8° spotlight	White			
PSP1ALPB			Black			

Freedom Lightbar Mounting

Designed for the Freedom™ LED Lightbar flashing/steady-burn flasher module, standard in each bar. This option allows you to mount one or two lamp Pioneer or Pioneer Plus floodlights with 20° adjustable angle without having to drill mounting and wire holes on your vehicle. Accommodates Freedom lightbars 55" and up. Includes all mounting hardware.



Mounting	Series	Lamp	Description
PFA1LB1	Pioneer	single	one Pioneer, center mounted for 55" and up
PFA1LB2			two Pioneers with mounting brackets for 72" and up
PFA2LB1		dual	one Pioneer, center mounted for 55" and up
PFA2LB2			two Pioneers with mounting brackets for 72" and up
PFP1LB1		single	one Pioneer Plus, center mounted for 55" and up
PFP1LB2			two Pioneer Plus with mounting brackets for 72" and up
PFP2LB1	Pioneer Plus	dual	one Pioneer Plus, center mounted for 55" and up
PFP2LB2			two Pioneer Plus with mounting brackets for 72" and up

Pioneer™ Series Mounting Options

Pedestal/Pole Mounting (Lighthouse Included with Mounting)



PFA1P1
Pole/Ped mount with handle and switch



PFP2P1
Pole/Ped mount with handle, without switch



PCP3P1
Pole/Ped mount with handle and switch



Rugged die cast housing is designed with deep fluting for superior thermal management resulting in low operating temperature and extended LED life and performance. Shown with removable handle, pole pedestal mount with switch.

Model #	Series	Lamp	Lamp Type	Voltage	Switch	Housing	Size with handle			
PFA1P	Pioneer	single	floodlight	12 VDC	-	White	Single Lighthouse: 9-3/4" (247mm) H x 6-1/16" (155mm) D x 10-13/16" (275mm) W Dual Lighthouse: 9-3/4" (247mm) H x 6-1/16" (155mm) D x 14-1/16" (357mm) W			
PFA1PB					-	Black				
PFA1P1					On/Off	White				
PFA1P1B					On/Off	Black				
PFA2P		dual			-	White				
PFA2PB					-	Black				
PFA2P1					On/Off	White				
PFA2P1B					On/Off	Black				
PFP1P	Pioneer Plus™	single	8° spotlight		-	White				
PFP1PB					-	Black				
PFP1P1					On/Off	White				
PFP1P1B					On/Off	Black				
PFP2P		dual			-	White				
PFP2PB					-	Black				
PFP2P1					On/Off	White				
PFP2P1B					On/Off	Black				
PSP1P	single	-		White						
PSP1PB		-		Black						
PSP1P1		On/Off		White						
PSP1P1B		On/Off		Black						
PCP2P	dual	combination flood and 8° spotlight		-	White					
PCP2PB				-	Black					
PCP2P1				Dual On/Off	White					
PCP2P1B				Dual On/Off	Black					
PCP3P	Pioneer Max™		dual x 2	combination dual floodlight & dual 8° spotlight	-	White	10-13/16" (275mm) H x 6-1/16" (155mm) D x 14-1/16" (357mm) W			
PCP3P1					On/Off	Black				
PFP1AP	Pioneer Plus		single		floodlight	120 VAC		-	White	Single Lighthouse: 9-3/4" (247mm) H x 6-1/16" (155mm) D x 10-13/16" (275mm) W Dual Lighthouse: 9-3/4" (247mm) H x 6-1/16" (155mm) D x 14-1/16" (357mm) W
PFP1APB								-	Black	
PFP1AP1		On/Off						White		
PFP1AP1B		On/Off						Black		
PFP2AP		dual	-					White		
PFP2APB			-					Black		
PFP2AP1			On/Off					White		
PFP2AP1B			On/Off					Black		
PSP1AP	single	-	White							
PSP1APB		-	Black							
PSP1AP1		On/Off	White							
PSP1AP1B		On/Off	Black							
PCP2AP	dual	combination floodlight and 8° spotlight	-					White		
PCP2APB			-					Black		
PCP2AP1			On/Off	White						
PCP2AP1B			On/Off	Black						
PCP3AP	Pioneer Max		dual x 2	combination dual floodlight & dual 8° spotlight	-	White	10-13/16" (275mm) H x 6-1/16" (155mm) D x 14-1/16" (357mm) W			
PCP3APB					-	Black				
PCP3AP1					On/Off	White				
PCP3AP1B					On/Off	Black				

Pioneer™ Series Pole Mounting Options

3000 & 3100 Series Pole Mounting Options

(Lighthouse Purchased Separately)

Features:

- Rugged extruded aluminum AC and DC pole assemblies.
- Side and Thru Body mount versions.
- Three conductor internal wire input for AC/four conductor for DC models.
- Side mount poles available in 12 or 20 inch outer body, 57" adjustable pole assembly.
- Poles and outer bodies anodized to eliminate corrosion and yellowing.
- Optional lower side mount cradle bracket with electromagnetic sensor indicates if the pole has been seated properly into the cradle for travel (customer supplied warning indicator light).
- Requires Pioneer with pole/pedestal mount adapter (purchased separately).
- Silver powder coated non-adjustable stand-off mounting brackets available in 2", 3", 5" and 7".
- Custom pole lengths available. Download Pioneer Designer Program to design custom pole assemblies.

Warranty:

- Five-year HDP® Heavy-Duty Professional warranty.

3000 Series - 57" Side Mount Pole Assemblies Top Mount - Pull-Up

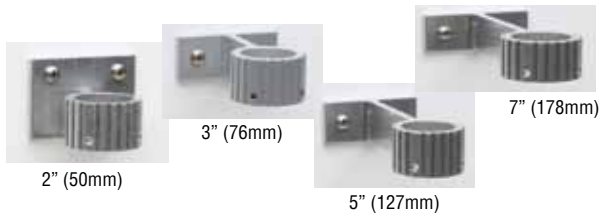


Shown with PFP2AP1 lighthouse (sold separately)



Shown with PCP2APB1 lighthouse (sold separately)

Side mount stand-off mounting brackets



Side mount outer body grab handles



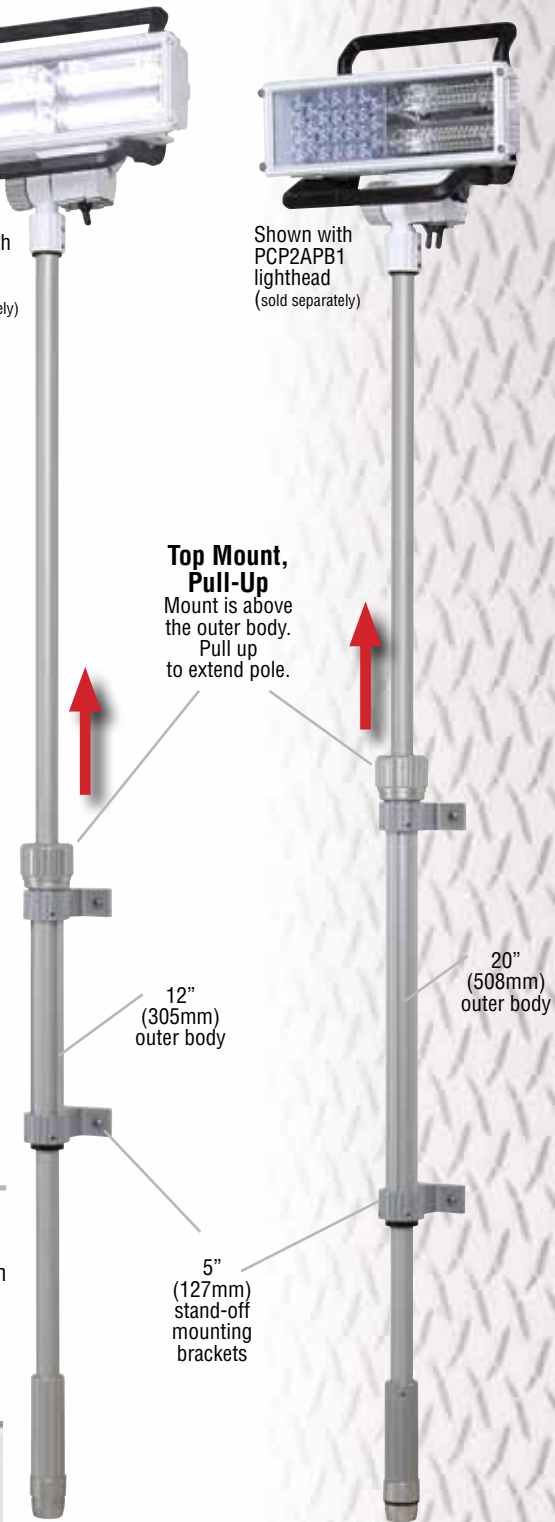
Side mount Sensor Cradle

Electro-magnetic sensor indicates pole has been seated correctly into cradle for travel.



For models numbers on Pioneer pole assemblies, please request Pioneer Pole Price List.

Top Mount, Pull-Up Mount is above the outer body. Pull up to extend pole.



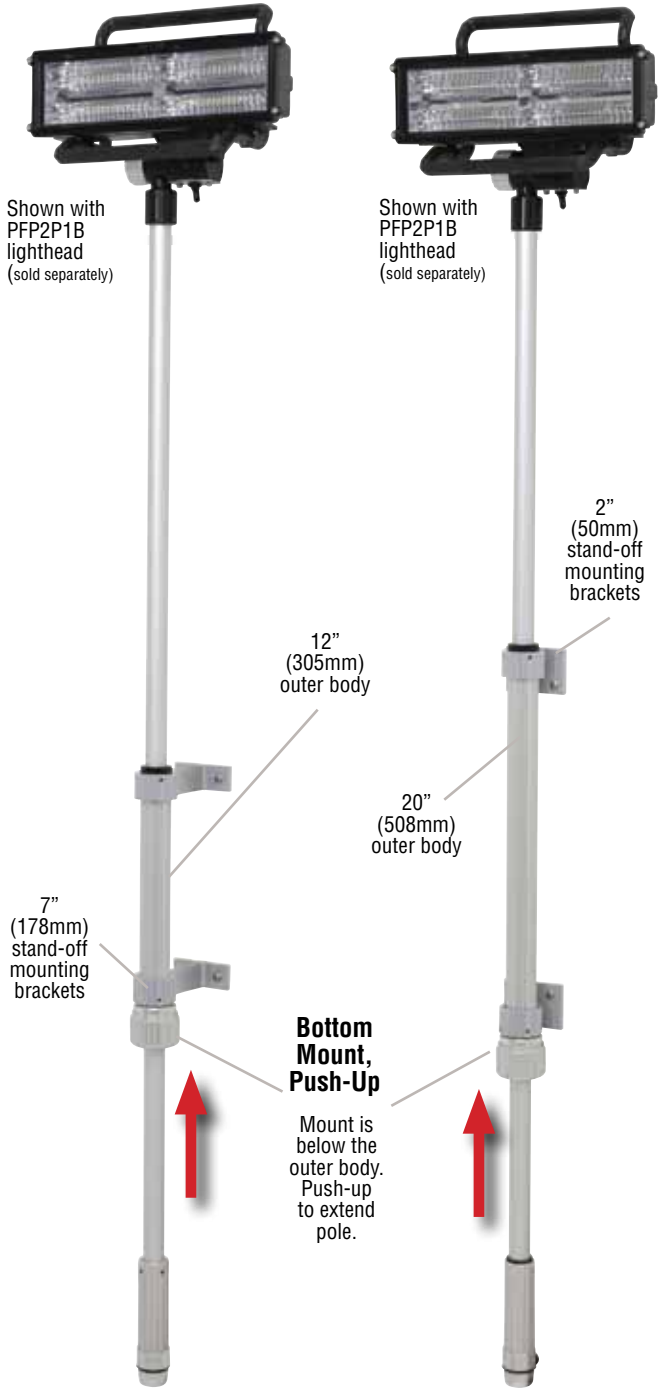
Pioneer™ Designer Program

Build or customize your Pioneer lighthouse mounting with "Whelen's Pioneer Designer" download from our website, www.whelen.com
From the home page, go to **Tech Support and Downloads (1)**. Choose **Pioneer Designer** and click on download **(2)**. Pioneer Designer lets you pick and choose options and enter custom pole and lighthouse requirements **(3)**.



Pioneer™ Series Pole Mounting Options

3000 Series - 57" Side Mount Pole Assemblies Bottom Mount - Push-Up



Shown with PFP2P1B lighthead (sold separately)

Shown with PFP2P1B lighthead (sold separately)

12" (305mm) outer body

20" (508mm) outer body

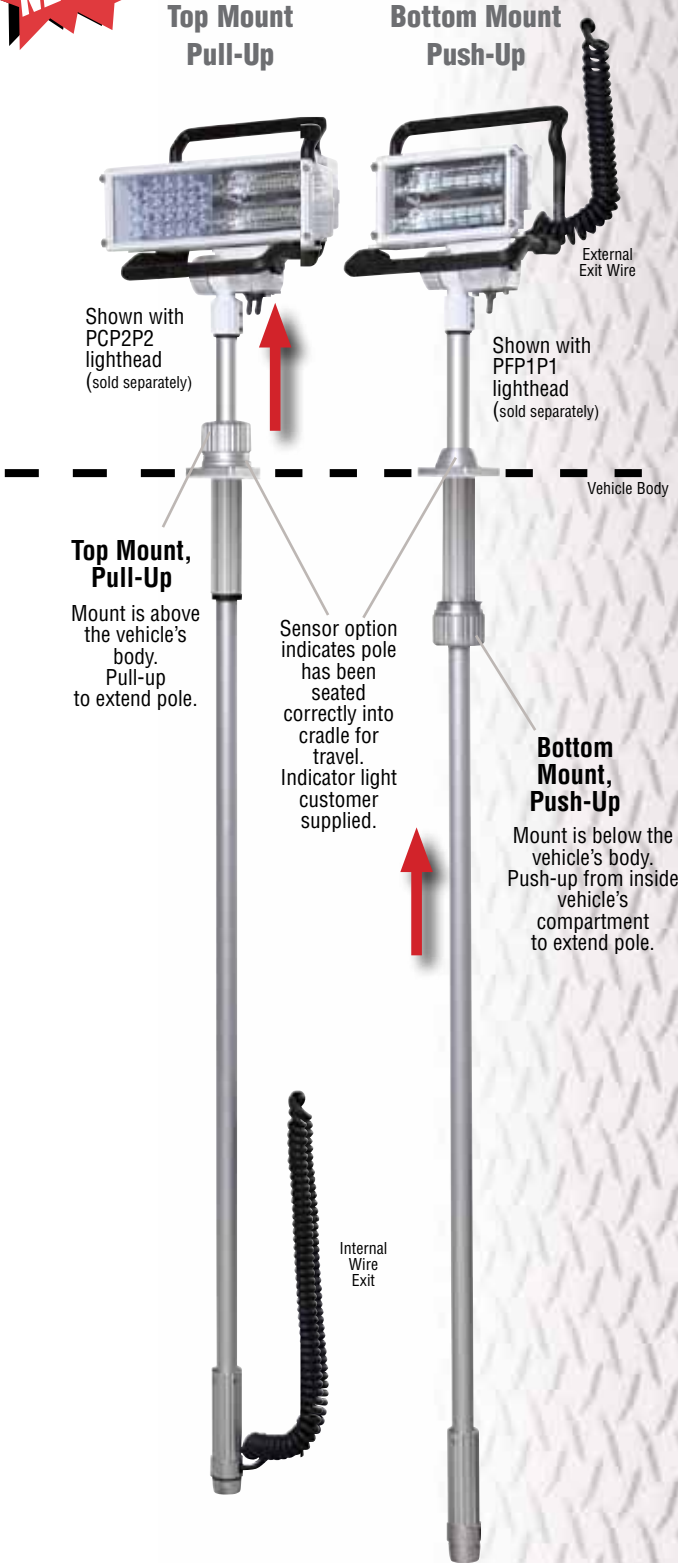
2" (50mm) stand-off mounting brackets

7" (178mm) stand-off mounting brackets

Bottom Mount, Push-Up

Mount is below the outer body. Push-up to extend pole.

3100 Series - 57" Thru Mount Pole Assemblies



Top Mount Pull-Up

Bottom Mount Push-Up

Shown with PCP2P2 lighthead (sold separately)

Shown with PFP1P1 lighthead (sold separately)

External Exit Wire

Vehicle Body

Top Mount, Pull-Up

Mount is above the vehicle's body. Pull-up to extend pole.

Sensor option indicates pole has been seated correctly into cradle for travel. Indicator light customer supplied.

Bottom Mount, Push-Up

Mount is below the vehicle's body. Push-up from inside vehicle's compartment to extend pole.

Internal Wire Exit

Pioneer™ Series Mounting Options

3200 Series Folding Tripod AC Pole Assemblies

(Lighthead Purchased Separately)

Features:

- Rugged extruded aluminum AC tripod assemblies.
- Large 50", medium 40" and small 30" models.
- Tripod models available are:
 - Wireless for use with ground tripod.
 - With inner coil cord without plug.
 - With inner coil cord with plug.
 - With loose external coil cord for top wire exit with plug.
 - With loose coil cord for external top wire exit without plug.
- All moving aluminum parts are isolated with nylon bushings for superior industry leading adjustment and fold outs.
- All inner poles, outer bodies and folding legs are anodized to eliminate corrosion and yellowing.
- Requires Pioneer with pole/pedestal mount adapter (purchased separately).
- Optional tripod mounting cradle bracket with upper quick disconnect mount bracket.
- Optional ground tripod mounting bracket for all folding tripods.

Warranty:

- Five-year HDP® Heavy-Duty Professional warranty.

Lower folding tripod mounting cradle Model 8728301



Folded tripod in mounting cradle



Upper tripod quick disconnect mounting bracket.



Large 50"



Medium 40"



Small 30"



Large tripod shown at maximum 42.25" extension.

3300 Series Ground Tripods

(Lighthead Purchased Separately)

Features:

- Rugged White powder coated cast aluminum AC portable ground tripod.
- Requires Pioneer with pole/pedestal mount adapter (purchased separately).
- Includes stationary quick disconnect mount.
- Supplied with 12" cable.
- Available with optional plug.

Warranty:

- Five-year HDP® Heavy-Duty Professional warranty.



Shown with optional plug.



Ground tripod with stationary quick disconnect mount.



Underneath side showing pin that recesses into stationary quick disconnect mount, included with ground tripod for secure storage.



Quick disconnect mount attaches to ground tripod mount.



Optional Model 8728302 ground tripod mount includes quick disconnect for 3200 Series folding tripod.



Finished assembly of ground tripod mounted on top of folding tripod pole with ground tripod mount.

Pan & Tilt™ Super-LED® Spotlight

Features:

- *Wired or wireless controlled spotlight.*
- *Wireless controller mounts anywhere in easy access on your vehicle and provides smooth control of light without long cable runs.*
- *Proportional push-button control for quick and easy operation.*
- *Low amp draw.*
- *Tilts 90° up and 20° down.*
- *Pans 420° horizontally.*
- *LEDs are rated for thousands of hours.*
- *Defaults to home position after use.*
- *Size: 8-3/4" (220mm) H x 7-3/4" (196mm) Dia.*

Warranty:

- *LED = 5 year*



Available Colors

Models

Model No.	Mount	Controller	Base	Lens	Amps	Lumens	VDC
PT360P	permanent	wired	polycarbonate	hard coated polycarbonate to resist scratches and UV damage	2 A (max)	1475	12
PT360PW		wireless					
PT360F	flange	wired					
PT360FW		wireless					

PAR-36 Heavy-Duty Super-LED Work Light

Features:

- *Rugged heavy-duty cast natural aluminum housing.*
- *Includes stainless steel pedestal/swivel mount.*
- *Deutsch waterproof connector.*
- *Mounts standing or hanging.*
- *24 VDC available, contact factory.*

Warranty:

- *5 year*



Available Colors

Models

Model No.	Lighting	Diodes	Lumens	VDC	Amps	Size
3PC0C0CD	spotlight	9	1,000	12	1.70	6-3/4" (171mm) H x 2-1/2" (64mm) D x 4-3/4" (121mm) W (without mounting)

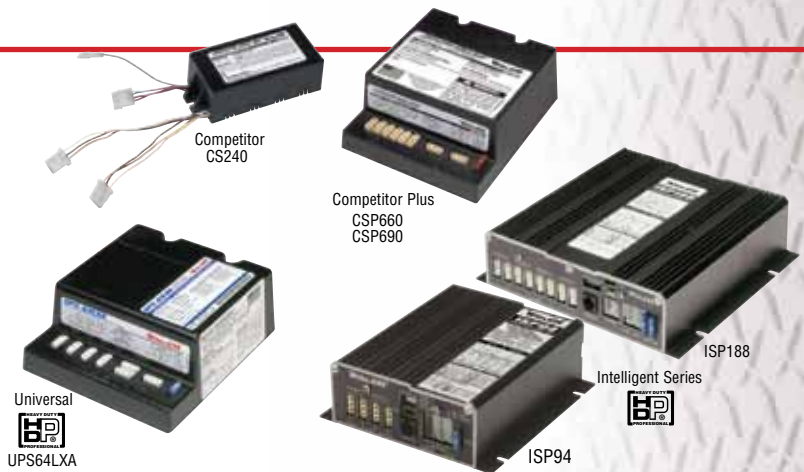
Power Supplies

Features:

- **Certified as system component to SAE & California Title XIII specifications.**
- **Manual Hi/Low intensity control.**
- **Input reverse polarity and output short circuit protection.**
- **UPS Series: RFI suppression, with less than 1db degradation.**
- **UPS & ISP Series: Input current and output power regulation (these features allow you to mix different styles of strobe flash tubes and deliver maximum output to all).**

Warranty:

- **Competitor™ & Competitor Plus™ = 2 year**
- **Universal® & Intelligent™ = 5 year**



Models

Model No.	Model Series	Out-lets	Watt Input	Watt Output	Outlet Switching	Alt/Simul Flash	VDC	Flash Patterns	Encap-sulated	Housing	Con-nectors	Size	
CS240	Competitor	2	54	40	-	1x1	12/24	10 Scan-Lock™	yes	composite	AMP	1-3/4" (44mm) H x 6-1/2" (165mm) W x 2-1/2" (64mm) D	
CSP660	Competitor Plus	6	77	60	2x4	3x3	12		conformal coated circuit boards			cast alum.	2-1/2" (64mm) H x 5-7/8" (149mm) W x 6-3/4" (171mm) D
CSP690			120	90			12/24			2-3/8" (60mm) H x 6-7/8" (149mm) W x 7" (178mm) D			
UPS64LXA	Universal	4	90	75	2x2	2x2	12	8				2-5/8" (67mm) H x 8-5/8" (219mm) W x 9-1/8" (232mm) D	
ISP94	Intelligent		115	90							2x2x4	4x4	16 + TA
ISP188			8	230							180	2x2x4	4x4

For Power Supply Guide, see power supplies at www.whelen.com

Flashers

Features:

- **Polycarbonate housing.**
- **Fully encapsulated for moisture and vibration protection.**
- **UHF Series has external mounting flanges.**

Warranty:

- **2 year**

Models



Model No.	Usage	Solid State	Outlets	Outlet Switching	Amps per Outlet	VDC	Flash Patterns	Encap-sulated	Size
SSFPOS	positive switching headlights	100%	2 outlets	1x1	12.5	12	7	yes	7/8" (22mm) H x 2" (50mm) W x 2-3/4" (70mm) D
UHF2150A	positive or negative switching headlights	controlled relay output					4 outlets 4 channels		2x2
ULF44	LED lighthead		4 outlets	2x2x2x2	5	62 alt/simul	3/4" (26mm) H x 2-3/4" (70mm) W x 3-1/2" (89mm) D		
UFM8	halogen/LED lighthead					17	3/4" (26mm) H x 2-3/4" (70mm) W x 3-1/2" (89mm) D		

Options

Model No.	Description
LEDLOAD	in-line load resistor kit to interface with OEM turn signal circuit



Power Control Centers and Switches

Features:

- Adjustable bail bracket mounting.
- Back-lighted function windows for choice of 72 standard press-on legend tabs.
- PCC8R's basic eight position keypad with remote relay box is ideal for DOT, Tow and Wrecker vehicles.
- Hand held or mounted to the dash or console, the WCC9 replaces the standard ECM (Electronic Control Module) on WeCan® lightbars.

Warranty:

- 2 year



Power Control Models

Model No.	Type and Usage	No. of Switches	Switch type	LED "On" Indicator	Installation	VDC	Size
NEW!! PCCS9RW	high current center for lightbars/lighting systems without need for separately mounted relays or relay boxes	6 push-buttons and 1 four position dip switch programmable slide switch for 3 primary functions	6 On/Off, momentary 20 amp relays	yes	11 fast-on for outputs 4 pos AMP Mate-N-Lok® -for control 2 pos Molex Mini Fit SR® - for power	12	1-7/8" (47mm) H x 6-1/8" (156mm) W x 6-1/4" (159mm) D
PCCS9NP	economical control center for use with Freedom™, & Liberty™ lightbars	5 On/Off, 1 programmable On/Off switch	1 nine position and 5 conductor AMP Mate-N-Lok connector to match lightbar cables		2" (50mm) H x 6-1/8" (156mm) W x 3-5/8" (92mm) D		
PCC4W	SPST, lighted switches	4	25 amp		5 wires power input, 5 wires output		2-1/4" (57mm) H x 3-1/4" (83mm) W x 4" (102mm) D
PCC6W		6	6-25 amp		8 position rear connector block		2-1/4" (57mm) H x 6-5/8" (166mm) W x 3-5/8" (92mm) D
PCC6W1		5 25 amp, 1 momentary					
PCC10W		10	20 amp				
NEW!! PCC10W1	9 20 amp, 1 momentary						
PCC8R	eight position keypad with remote relay box	8	3 20 amp relays and 5 10 amp relays	8 position rear connector block, supplied wiring harness	Relay Box: 1-1/4" (32mm) H x 7-1/4" (184mm) W x 4-3/4" (121mm) D Control head same as WCC9		
WCC9	electronic control for Liberty, Freedom and Justice® WeCan Lightbars	6 push-buttons and 1 four position dip switch programmable slide switch for 10 primary functions	6 normally open, momentarily closed tactile switches with 3-position slide switch	small diameter, 22 gauge, 2-C cables mates to your WeCan lightbar for easy installation.	2-1/2" (64mm) H x 4-3/16" (106mm) W x 7/8" (22mm) D		

Switch Panel Models

Model No.	Type	Usage	No. of Switches	Switch Type	Illuminated
1SWITCH	"L" shaped aluminum switch bracket only	for 1 switch	optional	-	-
2SWITCH		for 2 switches			
3SWITCH		for 3 switches			
4SWITCH		for 4 switches			
PC1	switch only with 15 amp contact	On/Off	1 each	SPST	yes
PC2		momentary On			-
PC3		On/Off/On		SPDT	yes
PC4		On/On			-
PC5		On/Off/On		DPDT	-
PC5S		strobe Hi/Off/Low			-



Wing Plow™ Series

Features:

- LED modules are fully encapsulated and are vibration, water and salt/chemical resistant.
- Two styles of Amber lightheads provides complete coverage whether snowplow wing is in the operation position or in the stowed travel position.

Warranty:

- LED = 5 year



Models

Model No.	Usage	Lighting	Flash Patterns	Cable	VDC	Housing
WFLOW1A	for when plow is in use	TIR3™ Super-LED® with built in flasher	24 Scan-Lock™ plus steady	20' heavy-duty TPR with built in strain relief connectors	12	rugged cast aluminum
WFLOW2A	for when plow is stowed for travel					
WFLOW3AA	includes both of above lightheads for complete coverage					
WFLOWZ1A	for when plow is in use	LINZ6™ Super-LED with built in flasher	24 Scan-Lock™ plus steady	20' heavy-duty TPR with built in strain relief connectors	12	rugged cast aluminum
WFLOWZ2A	for when plow is stowed for travel					
WFLOWZ3AA	includes both of above lightheads for complete coverage					

Options

Model	Description
W441DIN	Deutsch® waterproof 3 pins and connector kit, cable end
W442DIN	Deutsch waterproof 3 sockets and connector kit, lighthouse end



Safety Site™

Features:

- Super-LED traffic control for temporary warning.
- Safe alternate to flares.
- May be used horizontal or vertical position.
- 5-7 mile visibility range.
- Sold as single modules or in a kit of 5 in a compact Cordura® duffel bag.

Warranty:

- 5 year



Models

Model No.	Lighting	Power	Color	Product	FPM	Size
W20SS	Super-LED emitter	requires three alkaline size C batteries for approx. 100 hours of use	Red	single emitter	4 flash patterns	4-1/4" (109mm) H x 4-3/4" (121mm) W x 3" (76mm) D
W20SSRK				5 pack kit		

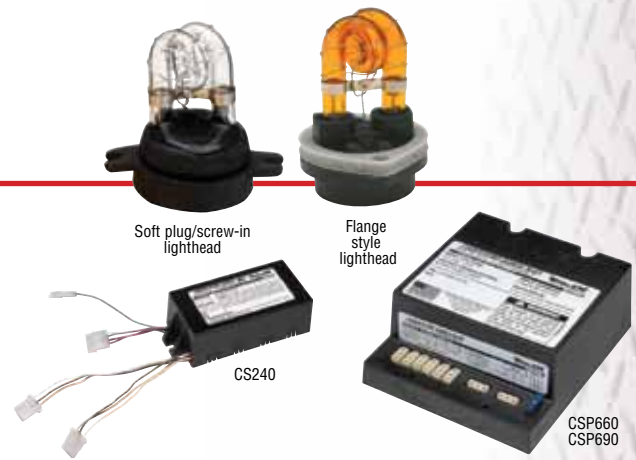
Hide-A-Way Strobe Systems

Features:

- Universal headlight and taillight flashing systems.
- Each system includes 4 Hide-A-Way strobe lighthead with 15' cables, connectors and remote strobe power supply.
- Substitute cables available.

Warranty:

- Power supply = 2 year / Strobe Tube = 1 year



Models

Model No.	No. of Outlets	Watts	No. of Lamps	Housing	Connectors*	Encapsulation	VDC	Control	Switching	Patterns	Cable
S240CC	2	40 output	2 strobe	Clear, flange	AMP Mate-N-Lok®	yes	12/24	manual Hi/Low control	1 x 1	10 Scan-Lock™ patterns	2-15'
S660CCCC	6	60 output	4 strobe	Clear, soft plug/screw-in		conformal coated circuit boards			12		simultaneous or alternating flash lighthead groups 3x3
S660AAAA				Amber, flange							
S690CCCC				Clear, flange							
S690AAAA		Amber, flange									
S690AACC		2 Clear, flange & + 2 Amber, flange									

Strobe Substitute Cables

Model No.	Description
SEXT20	20' cable w/ AMP connector
SEXT25	25' cable w/ AMP connector
SEXT30	30' cable w/ AMP connector
SEXT20D	20' cable w/ Deutsch connector*
SEXT25D	25' cable w/ Deutsch connector*

* Connectors at remote end of cable & strobe tube

Shielded 3-Conductor Extension Cables

Model No.	Description
EXT15	15' cable w/ AMP connector
EXT20	20' cable w/ AMP connector
EXT25	25' cable w/ AMP connector
EXT30	30' cable w/ AMP connector
EXT40	40' cable w/ AMP connector
EXT5WD	5' cable w/ Deutsch® waterproof connector*
EXT10WD	10' cable w/ Deutsch waterproof connector*
EXT15WD	15' cable w/ Deutsch waterproof connector*
EXT20WD	20' cable w/ Deutsch waterproof connector*
EXT25WD	25' cable w/ Deutsch waterproof connector*
EXT30WD	30' cable w/ Deutsch waterproof connector*
EXT40WD	25' cable w/ Deutsch waterproof connector

Strobe Replacement Parts

Model No.	Description
S30HAA	strobe tube only, Amber, flange style, AMP
S30HAAD	strobe tube only, Amber, flange style, Deutsch®
S30HAC	strobe tube only, Clear, flange style, AMP
S30HACD	strobe tube only, Clear, flange style, Deutsch
S30HACP	strobe tube only, Clear, plug/screw-in style, AMP
S30HACPD	strobe tube only, Clear, plug/screw-in style, Deutsch
HA239C	strobe tube with 15' cable, Clear, plug/screw-in style, AMP
HA239CD	strobe tube with 15' cable, Clear, plug/screw-in style, Deutsch
HA238A	strobe tube with 15' cable, Amber, flange style, AMP
HA238AD	strobe tube with 15' cable, Amber, flange style, Deutsch
CSP660	6-outlet, 60 watt power supply
CSP690	6-outlet, 90 watt power supply

Connector Kits

Model No.	Description
A441A	3 pins and connector, AMP (cap)
A442A	3 sockets and connector, AMP (plug)
A444A	2 pins and connector, AMP (cap)
A446A	2 sockets and connector, AMP (plug)
W441D	3 pins and connector, waterproof Deutsch
W441D14	3 pins and connector kit, waterproof Deutsch for DOT TPR cable
W442D	3 sockets and connector, waterproof Deutsch
W444D	2 pins and connector, waterproof Deutsch
W446D	2 sockets and connector, waterproof Deutsch

Electronic Back-Up Alarms

Features:

- Meets OSHA, Bureau of Mines, all State regulations.
- Glass filled nylon housing.
- Encapsulated solid-state electronics.
- Steam cleanable; pressure washable.
- Mount horizontally or vertically.

Warranty:

- 1 year



Models

Model No.	Decibels	SAE Code	VDC	Size
WBUA97	97	SAE J994 - Type C	12/24	2-3/4" (69mm) H x 1-1/2" (38mm) D x 4" (102mm) W
WBUA107	107	SAE J994 - Type B		2-3/4" (69mm) H x 1-1/2" (38mm) D x 4" (102mm) W
WBUA112	87-112	--		4" (101mm) H x 2-7/8" (73mm) D x 5-1/8" (130mm) W
WBUA112C	112	SAE J994 - Type A		4" (101mm) H x 2-7/8" (73mm) D x 5-1/8" (130mm) W

FleetRack™ Truck Rack for Emergency Lighting

Features:

- Mounts a variety of emergency lighting including full size or mini lightbars, beacons, auxiliary lighting and flood or spot lights.
- Super heavy-duty pre-formed steel construction with Black powder coating.
- Secures to pickup body without drilling, moves easily from vehicle to vehicle.
- Pre-drilled access holes accommodate a wide range of lighting.
- Wiring channels protect and cover wiring for security, long-life serviceability and neat, professional appearance for your truck.
- Options include auxiliary wing brackets, bolt-in horizontal slat brackets and steel mesh window protection.



Base model with center window and wing screen guards



Base model with center window and wing bar guards

Base Models

Model No.	Fits Vehicle
FR01	2012 Ford Super-Duty
FR02	2012 Ford F150
FR03	2012 Chevy Silverado and 2500 Series

Optional Kits

Model No.	Model	Fits Vehicle
FRCS	center window screen guard	2012 Ford F150 Chevy Silverado and 2500 Series
FRWS	wing window screen guard	
FRCSSD	center window screen guard	2012 Ford Super-Duty
FRWSSD	wing window screen guard	
FRCB	center window bar guard	Fits All
FRWB	wing window bar guard	
FRCBM	Whelen beacon center mount bracket	
FREBM	Whelen beacon end or corner mount bracket	

DOT-LED® Super-LED® Legal Lighting Systems



- All Whelen DOT3® Legal Lighting Systems are certified by an AMECA-accredited testing laboratory to meet or exceed SAE Class 1 warning lighting requirements in the appropriate specified safety colors.
- Super-LED offers all the impact of strobe with low amp draw.
- High and wide lighting profile identifies and defines the size and speed of a highway vehicle.
- Increased rear-end visibility with wide-angle long lasting Super-LED lighthoods visible even when dump body is in raised or lowered position, including forward dump bodies.
- All warning lighthood colors are Amber. For other colors, contact factory.
- The system offers multiple flash patterns and sequence options to provide improved reference for motorists in determining the distance to and location of maintenance vehicles.
- Each system includes complete installation kit, including cable harnesses.
- Optional aluminum housings available.
- Five year HDP® Heavy-Duty Professional warranty.

DOT3 System Components

Front System Components

Choice of four Super-LED models with 360° warning visibility for front coverage. Includes 60' of heavy-duty TPE cable.

Micro Freedom™



3-3/4" (95mm) H x 9-5/16" (236mm) D x 12-5/16" (312mm) L

Micro 400



3-3/4" (95mm) H x 10-3/4" (272mm) D x 10" (254mm) L

Stainless Steel Micro 400



3-5/8" (92mm) H x 8-1/4" (209mm) D x 8-1/4" (209mm) L

Remote L31 Beacon



4-1/2" (102mm) H x 7-3/16" (182mm) Dia.

Rear Lighthoods

Rear lighthoods are offered in 3 sizes. Super-LED lighthoods have specially designed lenses for wide light output. All lighthoods are supplied with Deutsch® waterproof connectors.

400 Series



4-15/16" (124mm) H x 3-3/16" (77mm) W

500 Series



5" (127mm) H x 1-5/8" (41mm) W

700 Series



7-1/4" (184mm) H x 3-1/16" (78mm) W

Rear Housings

Rear mounted lighthoods include 30" heavy-duty, oil resistant TPE jacketed cable with strain relief flex tubing and couplings that provide added safeguard against the elements. You have a choice of standard heavy-duty welded stainless steel or optional aluminum housings.

400 Series



Height: Single: 5-7/8" (149mm)
Double: 11-3/8" (290mm)
Triple: 17" (430mm)
Width 3-1/2" (88mm)
Depth: 4-3/4" (120mm)

500 Series



Height: Single: 7" (178mm)
Double: 13-3/4" (348mm)
Triple: 20-3/8" (518mm)
Width: 2-1/2" (65mm)
Depth: 5" (127mm)

700 Series



Height: Single: 8-3/8" (213mm)
Double: 16-1/4" (412mm)
Triple: 24" (608mm)
Width 3-1/2" (88mm)
Depth: 5" (127mm)

Standard Components



12" protective flex tubing and couplings to the lighthood connections protects the cabling and provides strain relief.



Waterproof, oil and corrosion-resistant tin coated, pure copper stranded conductors used in all TPE cables. Each wire strand in each cable is tin coated for the full length of the cable, providing superior longevity. Designed to last for the life of the vehicle. Optional cable lengths are available.



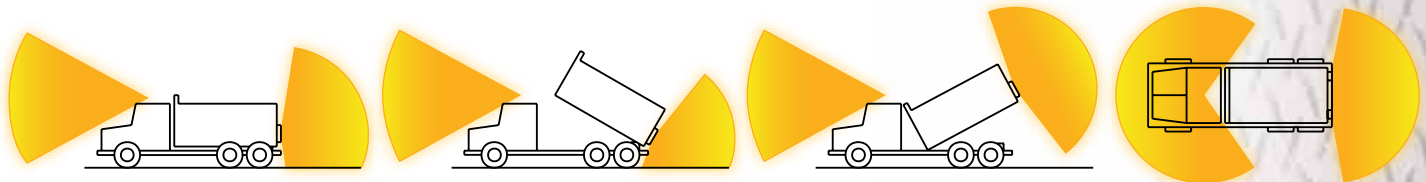
DOT-LED FLASHER/JUNCTION BOX. Centralized DOT Flasher for total system control. Offers various flash patterns, system flash sequence, and switching flexibility. The flasher also provides onboard Diagnostix™.



Top of the line Deutsch® waterproof connectors furnished with all rear lighthoods.



400 & 700 Series lighthood housings are 7 gauge and 500 Series are 11 gauge welded stainless steel. You may choose optional welded aluminum housings.

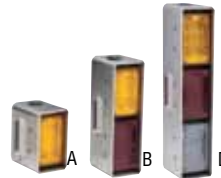
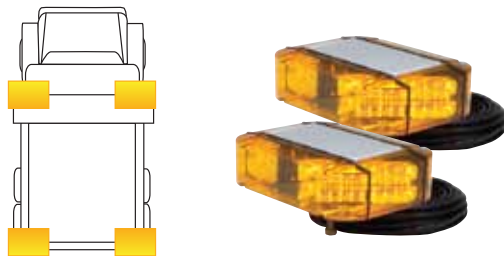


Wide angle lighthoods give visibility with the dump box in raised and lowered positions.

DOT3401, DOT3501 & DOT3701

4 Light System

Two Micro Freedoms with extended corner modules and two rear lighthouse options



SYSTEM 401 with 400 Series Lighthoods

- DOT3401A Warning
- DOT3401B Warning and brake/tail/turn
- DOT3401D Warning, brake/tail/turn and back-up



SYSTEM 501 with 500 Series Lighthoods

- DOT3501A Warning
- DOT3501B Warning and brake/tail/turn
- DOT3501D Warning, brake/tail/turn and back-up



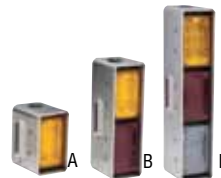
SYSTEM 701 with 700 Series Lighthoods

- DOT3701A Warning
- DOT3701B Warning and brake/tail/turn
- DOT3701D Warning, brake/tail/turn and back-up

DOT3402, DOT3502 & DOT3702

3 Light System

One L31 remote beacon and two rear lighthouse options



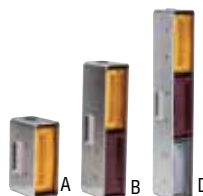
SYSTEM 402 with 400 Series Lighthoods

- DOT3402A Warning
- DOT3402B Warning and brake/tail/turn
- DOT3402D Warning, brake/tail/turn and back-up



SYSTEM 502 with 500 Series Lighthoods

- DOT3502A Warning
- DOT3502B Warning and brake/tail/turn
- DOT3502D Warning, brake/tail/turn and back-up



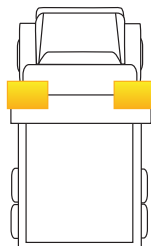
SYSTEM 702 with 700 Series Lighthoods

- DOT3702A Warning
- DOT3702B Warning and brake/tail/turn
- DOT3702D Warning, brake/tail/turn and back-up

DOT3103

2 Light System

Two Micro Freedoms with extended corner modules



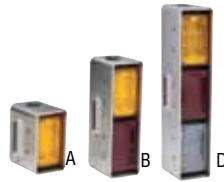
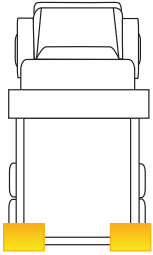
SYSTEM 103

- DOT3103.....Two front Amber warning lights

DOT3404, DOT3504 & DOT3704

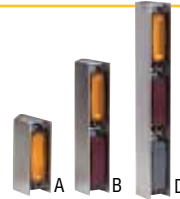
2 Light System

Two rear lighthouse options



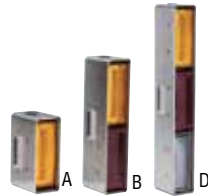
SYSTEM 404 with 400 Series Lighthouses

- DOT3404A Warning
- DOT3404B Warning and brake/tail/turn
- DOT3404D Warning, brake/tail/turn and back-up



SYSTEM 504 with 500 Series Lighthouses

- DOT3504A Warning
- DOT3504B Warning and brake/tail/turn
- DOT3504D Warning, brake/tail/turn and back-up



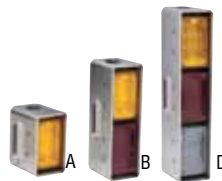
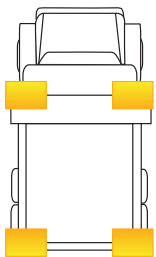
SYSTEM 704 with 700 Series Lighthouses

- DOT3704A Warning
- DOT3704B Warning and brake/tail/turn
- DOT3704D Warning, brake/tail/turn and back-up

DOT3405, DOT3505 & DOT3705

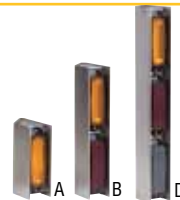
4 Light System

Two Micro 400s and two rear lighthouse options



SYSTEM 405 with 400 Series Lighthouses

- DOT3405A Warning
- DOT3405B Warning and brake/tail/turn
- DOT3405D Warning, brake/tail/turn and back-up



SYSTEM 505 with 500 Series Lighthouses

- DOT3505A Warning
- DOT3505B Warning and brake/tail/turn
- DOT3505D Warning, brake/tail/turn and back-up



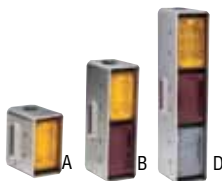
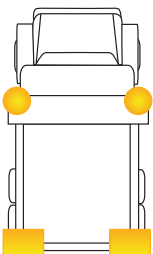
SYSTEM 705 with 700 Series Lighthouses

- DOT3705A Warning
- DOT3705B Warning and brake/tail/turn
- DOT3705D Warning, brake/tail/turn and back-up

DOT3406, DOT3506 & DOT3706

4 Light System

Two L31 remote beacons and two rear lighthouse options



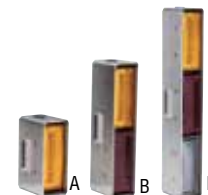
SYSTEM 406 with 400 Series Lighthouses

- DOT3406A Warning
- DOT3406B Warning and brake/tail/turn
- DOT3406D Warning, brake/tail/turn and back-up



SYSTEM 506 with 500 Series Lighthouses

- DOT3506A Warning
- DOT3506B Warning and brake/tail/turn
- DOT3506D Warning, brake/tail/turn and back-up

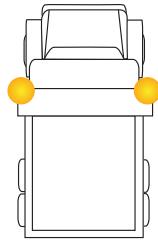


SYSTEM 706 with 700 Series Lighthouses

- DOT3706A Warning
- DOT3706B Warning and brake/tail/turn
- DOT3706D Warning, brake/tail/turn and back-up

DOT3107
2 Light System

Two remote L31 Beacons

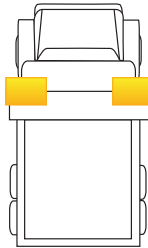


SYSTEM 107

DOT3107.....Two front Amber warning lights

DOT3108
2 Light System

Two Micro 400s

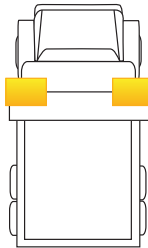


SYSTEM 108

DOT3108.....Two front Amber warning lights

DOT3109
2 Light System

Two stainless steel Micro 400s



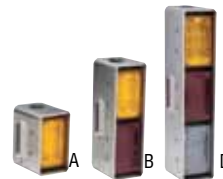
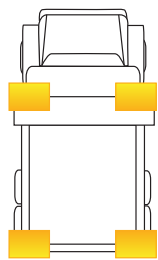
SYSTEM 109

DOT3109.....Two front Amber warning lights

DOT3410, DOT3510 & DOT3710

4 Light System

Two stainless steel Micro 400s and two rear lighthouse options



SYSTEM 410 with 400 Series Lighthouse

DOT3410AWarning
DOT3410BWarning and brake/tail/turn
DOT3410DWarning, brake/tail/turn and back-up



SYSTEM 510 with 500 Series Lighthouse

DOT3510AWarning
DOT3510BWarning and brake/tail/turn
DOT3510DWarning, brake/tail/turn and back-up



SYSTEM 710 with 700 Series Lighthouse

DOT3710AWarning
DOT3710BWarning and brake/tail/turn
DOT3710DWarning, brake/tail/turn and back-up

DOT3 Options



Switch Control Panels rated at 25 amps per switch.
PCC4W - 4 switch
PCC6W - 6 switch



L31 Branch Guard with cast aluminum base.
L360BGB



TIR3™ Side Light for 400 and 700 Series rear housings.
ADD4TIR3 - 400 Series
ADD7TIR3 - 700 Series



Extension Cables in single or pairs in 30' and 45' lengths. (See current price list for models).



DOT Photocell for Hi/Low power, includes Black flange.
DOTPHOTO



Wing Plow Lighting Systems with TIR3™ or LINZ6™ light modules for high visibility in both the snowplow's wing in stowed and travel positions.
WPLOW3AA - TIR3
WPLOWZ3A - LINZ6

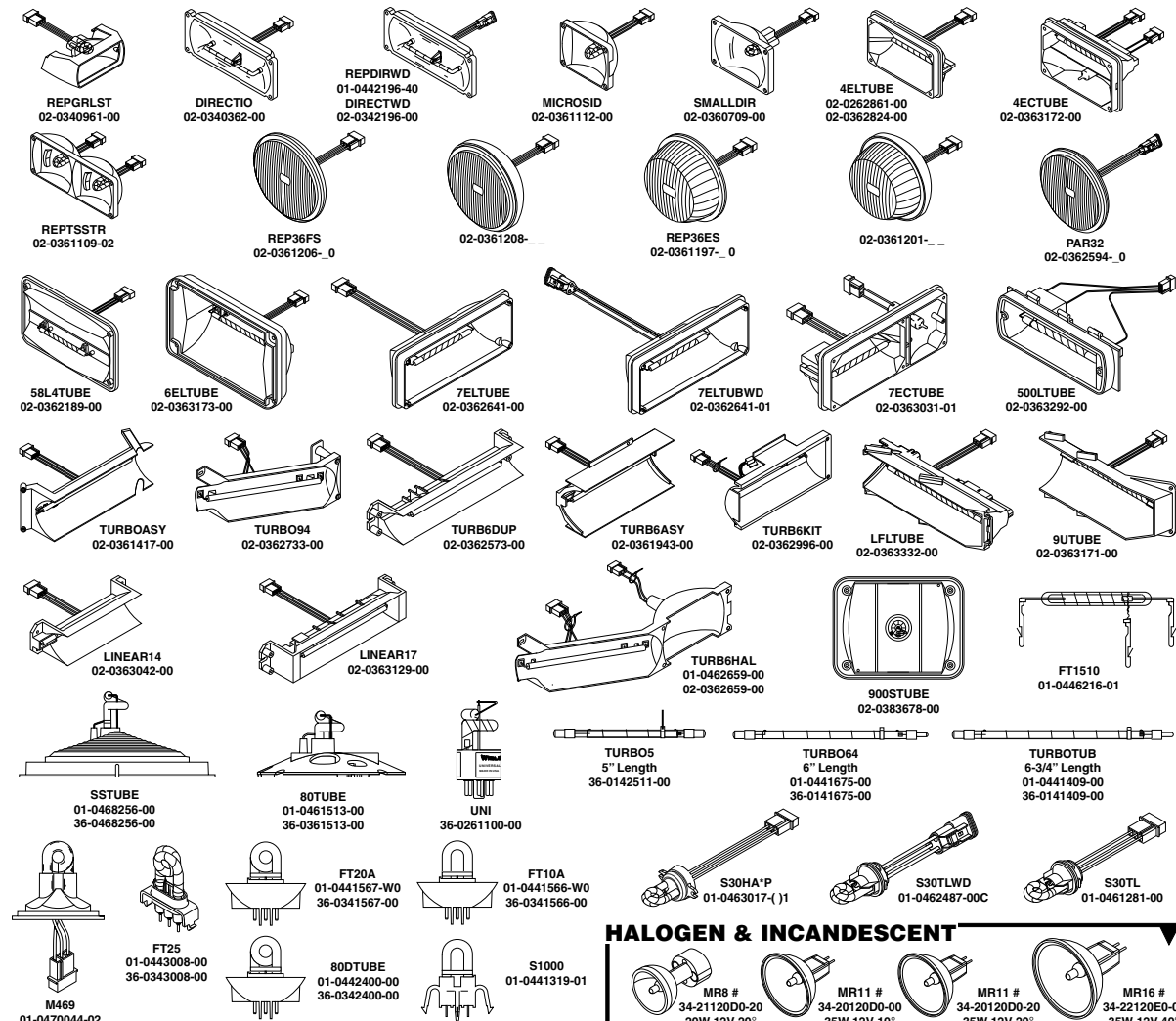


Combination LED spot/flood or flood work light with rubber housing and stainless steel hardware.
P36SCHG - Spot/Floodlight
P46SCHG - Floodlight

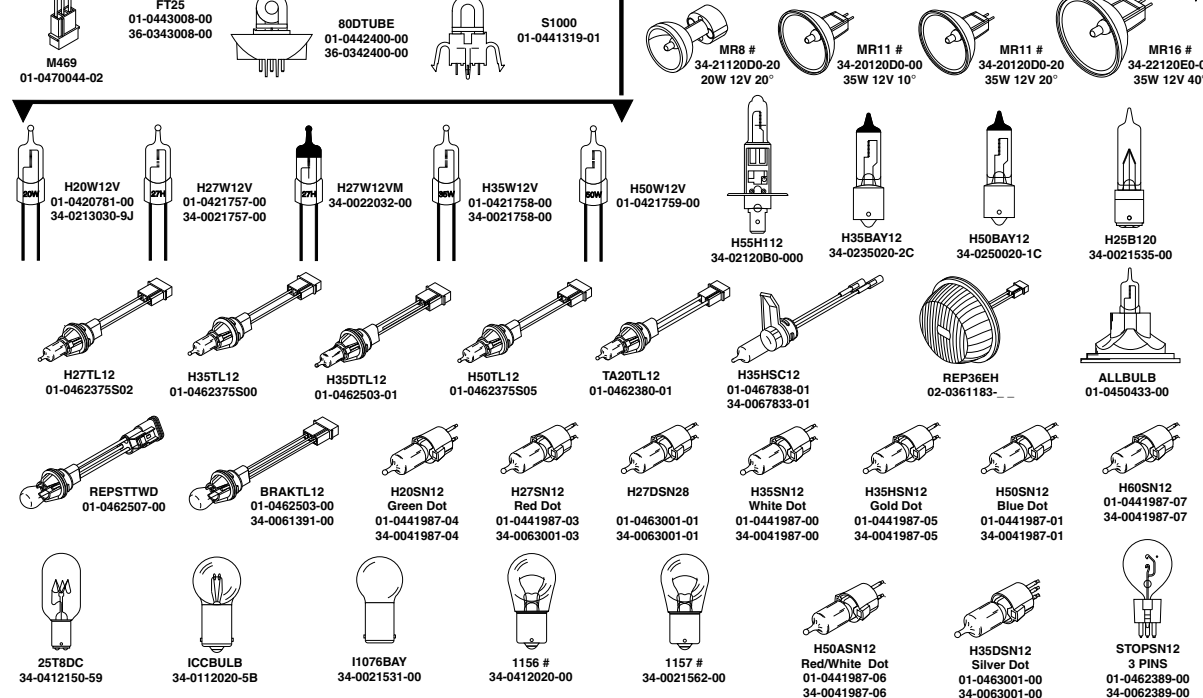
Replacement Lamp Guide

Pictorial reference guide for strobe, halogen and incandescent replacement bulbs

STROBE



HALOGEN & INCANDESCENT



Certification Standards

Providing the finest, certified lighting for our customers is a priority at Whelen Engineering Company. Listed below are the various certification standards used to test and certify our products for the DOT, Public Works, Utility, Towing and Contractor marketplace. As we are constantly upgrading and testing our products, it is impossible to print a document with all of the current information. Our team of customer service or field sales representatives will be happy to answer questions regarding this information and any other specific state or federal regulation that might apply to your criteria for decision-making on lighting devices for your vehicles.

Warning Lamps and Devices

CAC, Title III, Article 22

(red, blue and amber lighthoods)

SAE J595 - Flashing Warning Lamps for Authorized Emergency, Maintenance, and Service Vehicles (Jan 2005)

SAE J845 - Warning Devices for Authorized Emergency, Maintenance, and Service Vehicles (May 97)
Class 1, Class 2, Class 3.

SAE J1318 - Gaseous Discharge Warning Lamp for Authorized Emergency, Maintenance, and Service Vehicles (May 98)
Class 1, Class 2, Class 3.

Test Procedures and Materials

SAE J575 - Test Methods and Equipment for Lighting Devices & Components for use on Vehicles Less than 2032 mm in Overall Width (Jun 92)

SAE J2139 - Test Methods and Equipment for Lighting Devices & Components for use on Vehicles Greater than 2032 mm in Overall Width (Jan 96)

SAE J578 - Color Specifications (Jun 95)

Signalling and Marking Lighting Devices and Systems

FMVSS108 - Federal Motor Vehicle Safety Standards

SAE J586 - Stop Lamps for Use on Motor Vehicles Less than 2032 mm in Overall Width (Sep 95)

SAE J585 - Tail Lamps (Rear Position Lamps) for Use on Motor Vehicles Less than 2032 mm in Overall Width (Dec 94)

SAE J588 - Turn Signal Lamps for Use on Motor Vehicles Less than 2032 mm in Overall Width (Dec 94)

SAE J592 - Clearance, Side Marker, Identification Lamps (Dec 94)

SAE J593 - Back-up Lamps (Reversing Lamps) (Oct 95)

SAE J593C - Back-up Lamps (Reversing Lamps) (Feb 68)

SAE J914 - Side Turn Signal Lamps for Vehicles Less than 12 m in Length (Jan 95)

SAE J1432 - High Mounted Stop lamps for Use on Vehicles 2032 mm or More in Overall Width (Sept 97)

SAE J1889 - LED Lighting Devices (Jun 99)

SAE J1957 - Center High Mounted Stop Lamp Standard for Vehicles Less than 2032 mm in Overall Width (Jun 93)

SAE J2039 - Side Turn Signals Lamps for Large Vehicles (Jun 94)

SAE J2040 - Tail Lamps (Rear Position Lamps) for Use on Vehicles 2032 mm or More in Overall Width (Apr 99)

SAE J2042 - Clearance, Side-marker, and Identification Lamps for Use on Motor Vehicles 2032 mm or More in Overall Width (Jun 96)

SAE J2261 - Stop Lamps and Front and Rear Turn Signal Lamps for Use on Motor Vehicles 2032 mm or More in Overall Width (Mar 96)

WHELEN LED TERMINOLOGY

Generation 1 - (LED)
5mm diode technology

Generation 2
Piranha diode technology

Generation 3
Barracuda diode technology, standard diode and optic package

Generation 3.5 - (Super-LED®)
A special package containing the brightest diode and widest visibility optic technology available

TIR - (Super-LED)
Whelen's optimized use of Generation 3.5 diodes and unique optics to produce highly intense light that is somewhat directional in nature

Linear-LED® - (Super-LED)
Whelen's patented use of Generation 3.5 diodes and unique reflector optics to produce highly intense light that has superior wide angle visibility and rivals strobe in performance

SmartLED®
Whelen's distinctive use of self-contained electronics to power and flash a particular LED product. These products require no external flasher, ballast or power supply to operate.

User Direct Warranty (for Automotive Products Only)

Whelen Engineering Company, Inc. warrants products of its manufacture against defects in material and workmanship. This is provided that the product has been installed and operated in accordance with the manufacturer's recommendations. During the warranty period (see below) the Factory Repair Center or an Authorized Whelen Repair Center† will repair or replace (at its option) any parts or electronic assemblies of the unit which disclose a defect in material or workmanship. The Repair Center will return the repaired unit, transportation cost prepaid.

The above warranty is between the first purchaser (ultimate user) only and Whelen Engineering Company, Inc. (manufacturer). No prior authorization is required for returning Whelen products for warranty consideration. Each Whelen product sold is covered only by the official warranty in effect at time of purchase.

This warranty is not applicable to any Whelen product that has failed due to abuse, misuse, improper installation, excessive voltages, or alterations to the product that affects, in the manufacturer's judgment, intended use and service. Whelen will not be held liable for any incidental or consequential damages, and assumes no responsibility or liability for expenses incurred in the removal and/or re-installation of products requiring service and/or repair; nor the packaging, handling, and shipping to the Factory Repair Center or Authorized Whelen Repair Center†; nor for the handling of products returned from the repair center after service or repair.

There are no other warranties, expressed or implied, including, but not limited to, any implied merchantability or fitness for a particular use. Whelen Engineering Company, Inc. reserves the right to modify this warranty statement at any time; or discontinue, modify, or upgrade any products of its manufacture with design improvements without prior notice.

All power plugs/cigar plugs, incandescent and halogen bulbs, polycarbonate/plastic materials, radar products, aviation equipment, industrial products and high power voice/siren systems are not covered by this warranty (see applicable warranty statement). This warranty will be void when using or substituting other than all-genuine Whelen system components, such as remote head assemblies, xenon flash tubes, shielded cables, strobe power supplies, siren amplifiers and siren speakers.

This warranty gives you specific rights, and you may also have other rights which vary from state to state.

Whelen Engineering Company Electro-mechanical and Strobe Products

***STANDARD / 2-YEAR WARRANTY**

Whelen products are covered by a direct warranty for up to a maximum two years from date of purchase (not to exceed three years from date of manufacture), with proof of purchase. In accordance with the policy statement described herein, the unit may be returned directly to the factory or to an Authorized Whelen Repair Center† for warranty consideration. Whelen siren speakers, when used with a Whelen siren amplifier, are covered by a 2 year warranty from the date of manufacture. Heavy-Duty motor assemblies (so marked) are covered by a direct warranty for up to three years from date of manufacture. For warranty consideration, both the siren speakers and motor assemblies are subject to the conditions and steps described herein.

HDP / 5-YEAR WARRANTY

Whelen Automotive Non-Lightbar Strobe Power Supplies, LED Ballasts and LED Products bearing the official HDP label and manufactured to HDP standards, are covered by a direct warranty for up to five years from date of manufacture. In accordance with the policy statement described herein, the unit may be returned directly to the factory or to an Authorized Whelen Repair Center† for warranty consideration.

***12 MONTH WARRANTY — BACK-UP ALARMS**

Whelen Back-Up Alarms are covered by a 12 month warranty. Both are subject to the conditions and steps described herein.

10 YEAR LIMITED WARRANTY — LIGHTBAR POWER SUPPLY

*All repairable warranty and non-warranty Edge® style lightbar strobe power supplies will be replaced with a compatible new power supply. If out of initial warranty period but less than 7 years old, the charge will be a flat fee of \$145.00; if between 7 & 10 years old, the charge will be a flat fee of \$162.00 (warranty for standard power supply is 2 years and Heavy-Duty Professional (HDP®) power supply is 5 years). This is subject to the conditions and steps described herein.

12 AND 24 MONTH DIRECT WARRANTY — XENON FLASH TUBES

(Except Flash Tubes from 1000/1500/2000/3000 & VP Series which are covered by a 6 month warranty) If the xenon flash tube component of a "Whelen" brand (not from 1000/1500/2000/3000 or VP Series) product is returned to Whelen within 12 months of the date which is affixed to the flash tube, Whelen will replace that flash tube free of charge ONE TIME ONLY, subject to the conditions and steps herein. Whelen "Gold Medallion" flash tubes including all linear flash tube assemblies, carry a 24 month warranty. Whelen will pay ground transportation from Whelen's factory or Authorized Whelen Repair Center† to the customer via UPS where available (in the Continental U.S.).

12 MONTH EXTENDED WARRANTY — WHELEN REPAIRED STROBE POWER SUPPLIES

Whelen offers to repair or replace, free of charge, any part of its strobe light power supplies that have been repaired by Whelen within 12 months and are less than 5 years old, subject to the conditions and steps herein. Whelen will pay ground transportation from Whelen's factory or Authorized Whelen Repair Center† to the customer via UPS where available (in the Continental U.S.).

WHELEN ENGINEERING COMPANY OUT-OF-WARRANTY FACTORY REPAIR PROGRAM:

*If found to be repairable, the Whelen Factory Repair Center (only) will repair Non-Lightbar Electronic Strobe Power Supplies for \$90 each. This does not include replacement of any other electro-mechanical parts including flash tubes, polycarbonate domes, motors, or hardware items.

*Follow the "Steps To Be Taken For Return" noted below, and include a check or money order for \$90 for each unit returned. For Whelen products older than 10 years, repair charges will be determined upon examination only (minimum charge is \$162). Contact factory service center for further details.

STEPS TO BE TAKEN FOR WARRANTY RETURN:

- 1) Whelen products are to be returned freight prepaid to the: Whelen Factory Repair Center Building B, 51 Winthrop Road, Chester, CT 06412-0684; or an Authorized Whelen Repair Center†. Do not ship by bus.
- 2) A copy of the sales receipt must be returned with the defective unit to qualify for warranty coverage from date of purchase.
- 3) Include a short statement explaining the problem.
- 4) Include your name, address, and day-time telephone number.
- 5) Whelen and its Authorized Repair Centers will, via UPS, ship back the repaired unit freight prepaid, usually within a few days after its receipt.

† The only AUTHORIZED WHELEN REPAIR CENTER(S) are predetermined by the Whelen Factory via official listing obtained from Whelen Engineering Company, Chester, CT.

* New/Revised

Effective 1/12, REPLACES ALL PREVIOUSLY PUBLISHED SERVICE POLICIES

Product Index

Alphabetical index of Amber Products featured in this catalog

0S Series Lightheads	35,43	Justice Super-LED Mini Lightbars	22
0R Series Lightheads	35	L10 Series Super-LED Beacons	6
1200D Series Strobe Beacons	11	L21 & L22 Series Super-LED Beacons	7
2" Round Lightheads	34,43,44	L31 & L32 Series Super-LED Beacons	4
2000 Series Strobe Beacons	9-10	L41 Series Super-LED Beacons	5
2G Series Lightheads	35	L51, L52, L53 Series Super-LED Beacons	8
3" Round Lightheads	34,43,44	LED Beacons	3-8
360° Strobe Beacons	9-12	Liberty™ Series Lightbars	25
360° Super-LED® Beacons	3-8	Liberty Mini Lightbar	22
3PCOCOD Work light	54	LIN3™ Series Super-LED Lightheads	33
4" Round Series Lightheads	34	LINZ6™ Series Super-LED Lightheads	33
400 Series Lightheads	36	M Series Lightheads	41
500 Series Lightheads	37	Micro Lightheads	30
508 Series Lightheads	31	Micro Pioneer™ Spotlights	46
5G Series Lightheads	35,43	Pan and Tilt Spotlight	54
6" Round Interior Lightheads	43-44	PAR-36 & PAR-46 Work Lights	45
600 Series Series Lightheads	38	Perimeter™ Enhancement Light	31
700 Series Series Lightheads	39	Pioneer™ Super-LED Work Lights	46-50
800D Series Strobe Beacons	11	Pioneer SlimLine™ Work lights	47
8" Round	43-44	Pioneer Nano™	46
810 Series Lightheads	31	Pioneer Pole Mounting	51-53
900 Series Lightheads	40	Power Control Centers	56
Avenger™ Dash & Deck Light	14	Power Supplies	55
Back-up Alarms	59	R316 & R416 LED Beacons	3
Century Mini Lightbars	21	Raider™ Directional Lighting	31
Certification Standards	65	Replacement Lamp Guide	64
Competitor™ Series Strobe Power Supplies	55	Responder LP™ Series Mini Lightbars	20
Compartment Lights	43-44	Responder Mini Lightbars	19
Connectors and Extension Cables	58	RB6 Series Beacons	13
Dash & Deck Lighting	14-17	S360D Series Strobe Beacons	12
Dominator™ & Dominator Plus™ Series	17	Safety Site™ Emitter	57
DOT-LED® Systems	60-63	Scenelights	42
Extension Cables	58	SlimLighter™ Series Dash & Deck Lights	15
FleetRack™ Truck Rack System for Emergency Lighting	59	Slim-Miser™ Series Dash & Deck Light	15
Flashers	55	SpitFire™ ION™ Dash & Deck Light	14
FlatLighter™ Series Dash & Deck Lights	15	SpitFire Plus™ Dash & Deck Light	14
Floodlights	45-50	Spotlights	45-54
Fluorent™ Interior Lighting	44	Strip-Lite™ Series Lightheads	30
Freedom™ Lightbars	24	Switches	56
Freedom Mini Lightbars	21	TIR3™ Lightheads	33
Guardian™ Series Mini Lightbars	18	Towman's™ Lightbar Series Lightbars	26
Hide-A-Way Strobes	31	Traffic Advisor™, Arrow Head Style	29
Hide-A-Way LED	32	Traffic Advisor, Straight Style	27-28
Inner Edge® XLP Interior Lightbars	23	Universal® Power Supply Series	55
Hide-A-Way Strobe Systems	58	Vertex™ Hide-A-Way Lighthouse	32
ION™ Super-LED Lightheads	16	V-23 Series Lightheads	36
Intelligent™ Power Supplies	55	Warranty	66
Interior Lights	43-44	Wing Plow™ Lights	57
Justice® Super-LED Lightbars	25	Work lights	45-50

Notice:

Dimensions indicated for products are within +/- 1/16" (1.58mm) tolerance. Metric equivalents are rounded to nearest whole number. For special applications requiring more precise measurement, contact factory.

Prior to using any interior light, consult your vehicle's owner manual to insure proper use with air bag safety systems.

The use of a magnetic or suction mounted beacon on the roof of a vehicle in motion is not recommended, and is at the sole discretion and risk of the user.

For optimum performance and reliability, Whelen strobe power supplies are designed for use with Whelen flash tubes, strobe lightheads and cables only. Substitution of any of these components with non-Whelen products voids all warranties and any applicable certifications.

Whelen Engineering reserves the right to upgrade and improve products without notice.

CometFlash, DOT3, DOT-LED, Justice, Linear-LED, SI TEST, Universal, Responder, SmartLED, Super Strobe, Super-LED, HDP, Edge and WeCan are registered trademarks of Whelen Engineering Company, Inc.

Avenger, Century, Competitor, Competitor Plus, Cross-Link, CON3, Delta, Diagnostix, Dominator, Dominator Plus, DUO, Edge-Plus, Flatlighter, FleetRack, Fluorent, Freedom, Guardian, Grille-Master, Intelligent, ION, Justice, Liberty, Linear, LIN3, LIN6, LINZ6, Micro Pioneer, Pan and Tilt, Perimeter, Pioneer, Pioneer Plus, RapidFire, Rota-Beam, Scan-Lock, SignalAlert, Pioneer SlimLine, Pioneer Nano, Safety Site, Slim-Miser, SlimLighter, SpitFire, SpitFire Plus, Strip-Lite, TIR3, TIR6, Towman's, Traffic Advisor, Vertex & Wing Plow are trademarks of Whelen Engineering Company, Inc.

Mate-N-Lok is a registered trade mark of the AMP Corporation, Navistar is a registered trade mark of International Truck and Engine Corporation, Deutsch is a registered trade mark of Deutsch Engineered Connecting Devices, Velcro is a registered trade mark of Velcro Industries B.V., NASCAR® is a registered trademark of the National Association for Stock Car Auto Racing, Inc.

Whelen Trademarks are the property of Whelen Engineering Company, Inc. and may be used only as set forth in the Guidelines for Use of Whelen Trademarks available at www.whelen.com. Unauthorized use of the Whelen Trademarks for commercial purposes may constitute trademark infringement and unfair competition in violation of federal and state laws.

WHELEN CORPORATE CAPABILITIES



Where it all began.....

It All Started 1952 in a Garage with the First Rotating Beacon.

A privately owned company, Whelen has experienced positive growth for over 60 years. The pride and commitment of its work force, whose employment longevity averages over 22 years, is rewarded through a profit sharing plan established by the Whelen family since the company was founded.

The development of the first aviation light helped launch Whelen into the automotive safety lighting industry as well. Whelen currently provides safety lighting for Police, Fire, EMS, and DOT professionals as well as many other industries. The production volumes seen in the automotive sector have allowed Whelen to invest in the latest automated assembly equipment in order to compete world-wide. Last year Whelen purchased over 44 million LEDs for use in their extensive family of products. In the 1970s Whelen introduced the Outdoor Warning Siren ... totally electronic and capable of not just warning tones but also high-powered voice messages. The Mass Notification Division has saved lives around the world.

At Whelen Engineering, our goal is to bring innovative, life saving products to market more quickly while maintaining strict quality control throughout the process. We have accomplished this through a vertical manufacturing initiative to eliminate or reduce out-sourcing; the use of robotics and state-of-the-art production equipment; and, perhaps most importantly, a motivated workforce of over 1100 employees. This allows us to meet and adapt to our customer's changing needs in the shortest amount of time.

- Two manufacturing facilities totaling over 586,000 square feet.
- Largest staff of Design Engineers in the industry.
- Research and development.
- Partnering with OEMs on new vehicle design and product integration.
- Plastics injection molding machines from 30 to 2000 tons capacity.
- In-house plastics, hard coating, metallizing, and sheet metal fabrication.
- On-site test lab for environmental dust, moisture, vibration, etc, acoustic anechoic sound chamber, industry certifications (SAE, AMECA, FAA to name a few).
- Sales and Technical Personnel are trained at the factory training center and return for updates on a regular schedule.
- Worldwide network of Sales, Service and Training.

MANUFACTURING FACILITIES



Corporate Headquarters, Chester, Connecticut



Charlestown, New Hampshire Division

DESIGN & ENGINEERING

The largest staff of Design Engineers in the industry! Many of our Engineers are Fire Volunteers and EMTs so they know firsthand the critical need for life saving, innovative products.



3-D Product Design



Whelen's Professional Design Engineers

INJECTION AND VACUUM MOLDING

1600 molds, 38 molding machines from 30 to 2000 tons, 20 million parts produced every year. Vacuum machines produce irregularly shaped components not suitable for injection molding.



Injection Mold Making



3-D Tool Designs



1700 Ton Molding



3 Trimming Formed Parts Machines



5 Over Molding Electronics Machines



38 Robotic Molding Machines



Die-Cast Tool Making



Aircraft Lens Mold Making

ELECTRONICS MANUFACTURING

Surface mount and through-hole circuit boards are manufactured, assembled and tested In-circuit.



14 Transformer Winding Machines



15 Cable & Wire Machines



5 Electronic Board Assemblies



12 Electronic Board Testing Machines



Electronic Assemblies



SMT Assemblies



Lightbar Production



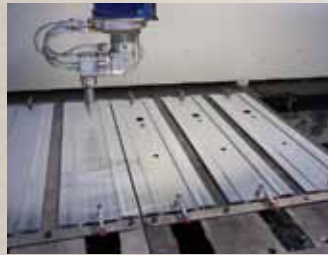
Automatic Robotic Cable Assembly

FABRICATION

Robotic and laser cutting and drilling, Robotic Bending Cells for stand-alone operation. All machine parts are produced and maintained by automated production machine shops in New Hampshire and Connecticut.



Five-Axis Laser



Cutting Center



4 Laser Cut Punch & Tapping Centers



8 Metal Forming Machines



Transformer Manufacturing



8 Wire Cutting, Stripping & Terminals Machines



Inventory



Automatic Kit Bagging

FINISHING PROCESSES

Hard coating of lenses and powder coating housings make them resistant to weather and abrasion. Metallizing reflectors adds reflectivity and helps prevent corrosion and oxidation.



Powder Coating



Moisture Proof Coatings



Silicone Hard Coating



5 Vacuum Metalizing Reflector Machines

PRODUCTION MACHINE SHOP

The production machine shop uses state-of-the-art milling machines, CNC lathes and screw machines to make the precision parts required for our products.



2 High Speed Screw Machines



Robotic Five-Axis 48 Pallet Milling Center



15 Milling and Turning Centers

QUALITY CONTROL AND TESTING

Quality Control is maintained throughout the manufacturing process. Certified test labs on site facilitate product development and shorten lead times.



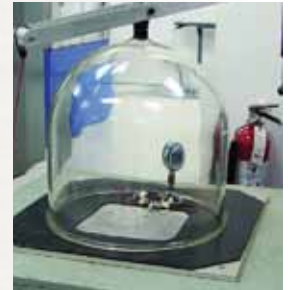
EMI



RF



Corrosion



Atmospheric



Rain



Vibration



Dust



Environmental



Photometric Chamber



Acoustic Chambers



Quality Control & Reliability Testing

REPAIR, SERVICE AND TRAINING

Whelen's Repair Goal is to get product repaired and back out the door to you within 24 hours. Authorized Service facilities are located around the globe. Training is available not only at the Chester Training Facility but at sites around the country. All Whelen Authorized Managing Sales Representatives and technicians return to the plant several times a year for new product introduction and advanced training.



Repair Service Technician



Electronics Technician



Technical Support



Chester Corporate Training Facility



Distributed by:



WHELEN[®]
ENGINEERING COMPANY, INC

51 Winthrop Road
Chester, CT 06412-0684
860-526-9504 • Fax 860-526-4078
www.whelen.com

American Employees, American Manufacturing, American Pride!

NTEA[®]
THE ASSOCIATION FOR THE WORK TRUCK INDUSTRY
MEMBER



Whelen reserves the right to upgrade and improve products without notice.
NASCAR[®] is a registered trademark of the National Association for Stock Car Auto Racing, Inc.
©2013 Whelen Engineering Company, Inc. Printed in U.S.A. - 10742M - 613